

Rimrock ready for state tourneys

Avalanche Sports

Marsing PPK champs announced

COMMENTARY, 10-11B

WEDNESDAY, MAY 16, 2007

CLASSIFIEDS, 14-15B.



Andy Ankeny

Native lands NCAA football job

California's LaVerne hires Ankeny, who played on Trojans state title teams

Homedale native Andy Ankeny is used to football excellence, and now he has the opportunity build his own legacy as a college head coach.

A former two-time undefeated state champion as a player with Homedale High School, Ankeny was announced as the new coach for the University of LaVerne in Southern California during a reception Tuesday afternoon.

"It's exciting," Ankeny said while waiting for a flight in a Houston airport Monday morning.

"It's one of those deals (that) when you first get the job, you got from extremely excited and fired up to, 'Geez, what am I getting myself into. And now I'm just apprehensive to get there and get my feet on the ground and get the thing rolling.'"

LaVerne is a small NCAA Division III school located in LaVerne, Calif., which is in the greater Los Angeles area.

The 32-year-old Ankeny becomes only the fourth head coach in LaVerne history, which stretches to 1948.

He is the first football head coach hired by

the Leopards who arrives with no previous ties to the university, but he's not worried about being an outsider.

"That's going to be fine," he said. "I think the program needed a new direction and a breath of fresh air. Someone who has new ideas and has had some success at the national level.

"The fact that I'm not a LaVerne guy doesn't bother me."

— See *Native*, page 7B

— Former Trojan named Cascade softball player of the year, page 7B

STATE CHAMPIONSHIP SEASON ARRIVES

Trojans, Huskies take title hopes to BSU

Emry, 4x100 relay shine; boys share district crown

In nearly 20 years of coaching track and field, Thomas Thomas has seen a lot of firsts. But when his Homedale High School boys team tied for the 3A District III championship last week, he had to take a double-take.

So did the public-address guy.

"As they were announcing the team scorers, I heard Payette was third, then they said Homedale was second and they corrected it," Thomas said.

It turned out that Homedale and Weiser — Thomas' old nemesis from the football field — had tied for the title.

That revelation still shocked Thomas.

"I thought Payette would be the team we'd compete for the championship with," he said.

And the coach certainly didn't expect a dead heat Thursday at Fruitland High School.

"In track, there are so many variables — 18 events, five places. Odds of (a tie) happening are pretty small," Thomas said.

"In 19 years as coach, I've never seen a tie like that."

Yet there it was: Weiser 96, Homedale 96. Payette was third with 86 points.



Perfect handoff leads to another low time

Mark Vance gives the baton to anchor-leg runner David Liddell during Homedale High School's victory in the 4x100-meter boys relay Thursday in Fruitland. Photo by Brian Shirk/Avalanche Photography McCall

The Trojans entered the final relay, the 4x400 meters, clinging to a 92-88 lead over the Wolverines.

"It came down to the last relay race," Thomas said. "Weiser had to take first and we had to take third, and that's what

happened."

The Wolverines smoked the field. The quartet of seniors Brandon Berquist and Kimbal Palmer, junior Jake Scharbrough and sophomore Trent Winegar

— See *Boys*, page 4B

Marsing program's bright future reflects in 2A state meet qualifiers

Three Marsing High School underclassmen qualified for the 2A track and field state championships during the weekend.

Siblings Tyson Heller, a freshman, and Holly Heller, a junior, will enter three different events when the state meet begins Thursday at Bronco Stadium in Boise.

Junior Ethan Sauer will compete in the triple jump.

Tyson Heller won the District III shot put championship with a mark of 44 feet, 6½ inches. The effort was more than 4 feet better than the best throw of New Plymouth senior Kirk Ramsey (42-2).

Heller also will be on hand for the discus after a fourth-place throw of 125-7 at the district meet held Friday and Saturday on the Parma High School track.

The boys discus takes place at 7 p.m. Thursday, while the shot put competition is scheduled for 10:30 a.m. Friday.

Holly Heller's time to shine comes Thursday night as well,

— See *Marsing*, page 5B

— Siblings carry on Heller tradition at state meet, page 5B



Junior just misses

Amanda Staudenmier finished one spot out of the state meet in the 400 meters.

COUNTY STATE CHAMPIONSHIP HOPES

Track and field

Thursday-Saturday at Bronco Stadium on Boise State University campus

Homedale — David Liddell, Austin Emry, Matt Holloway, Chris Anders, Mark Vance, Trent Acree, Austin Ferguson, Jake Tolmie, Nickole D'Alessio, Kindra Gallo-way, Annamaria Salas, Jordan Warwick,

Katie Holloway and Sarah Black

Marsing — Holly Heller, Tyson Heller, Ethan Sauer

Rimrock — Anna Cantrell

Melba — Emily Romero

3A tennis

Friday-Saturday at various locations in Boise

Homedale — Joshua Myers (boys singles), Emily Verwer and Levi Jones (mixed doubles), Vanessa Brown and Chanda Cox (girls doubles)

1A softball

Friday-Saturday at Sunset Park, Lewiston

Rimrock coached by Mike Chandler

1A baseball

Friday-Saturday in Caldwell, exact site not announced as of press time

Rimrock coached by Bob Murray

3A golf

Played Monday in Post Falls, results not available at press time

Homedale — Ryan Garrett

Sports

STATE CHAMPIONSHIP SEASON ARRIVES

Rimrock spring athletes head to State



Throw on the money

Rimrock freshman Jackie Thurman, left, awaits the throw from Kaile Murray before putting the tag on a Council base runner during last weekend's district tournament in Fruitland. Photo by Doug Thurman

Freshman guns for high jump title; baseball in postseason in Caldwell

For the second consecutive year, Rimrock High School spring sports fans will have a reason to pay attention to the state championship season.

But this year, part of the action will be close to home.

The Raiders' baseball and softball teams will compete in their respective 1A state tournaments later this week.

Track and field coach Kermit Tate also will have a competitor in the 1A state championship meet Thursday at Bronco Stadium on the Boise State University campus.

Freshman Anna Cantrell qualified for the high jump by winning the 1A Western Idaho Conference championship last week.

Cantrell's seeding height for the state competition, which will be held at 7 p.m. Thursday, was 4 feet, 10 inches. There are only qualifying heights better than that — both 5-0 from Lapwai junior Sasha Reuben and Kootenai senior Kendra Willms.

Softball

One year after being eliminated in the latter stages of the 1A District III softball tournament, Rimrock found a way to break through Saturday at Mesa Park in Fruitland.

Coach Mike Chandler's Raiders will meet District II No. 1 seed Prairie in a first-round game at 3 p.m. MST on Friday. The

tournament is being played at Sunset Park in Lewiston.

Rimrock is the No. 2 seed from District III after losing Saturday's championship game to Council, 8-7. The Lumberjacks, who take on District II No. 2 Culdesac in a 5 p.m. game today, knocked Rimrock into the losers bracket of last weekend's tournament with a 21-7 clubbing Saturday morning.

Rimrock began the district tournament with a 13-1 victory over Wilder. After the semifinal loss to Council, the Raiders beat Horseshoe Bend to get into the championship game.

Baseball

Coach Bob Murray's baseball team makes its second consecutive appearance in the 1A state tournament this week. The Raiders are the only team from the southern half of the state in the tournament, which will be played in Caldwell.

The Raiders' first-round matchup comes at 11:45 a.m. Friday against Genesee, the second seed from the North. Kendrick and Timberline-Wieppe open the tournament at 9:30 a.m.

If Rimrock beats Genesee, the Raiders meet the Kendrick-Timberline winner in a 4:15 p.m. semifinal Friday.

The championship game is set for 11:45 a.m. Saturday, and a second game, if necessary, will be played at 2 p.m.

Trojan Spring Sports

Softball
Great Season
Trojans!

Baseball
Great Season
Trojans!

Track and Field
Thursday-Saturday, May 17-19 at 3A state
championship meet, Bronco Stadium, Boise
State University



Golf
Great Season
Trojans!

Tennis
Friday-Saturday, May 18-19 at 3A state cham-
pionship tournament, various locations in Boise



Senior safe at home

Rimrock senior Laura Zaragoza slides home ahead of the pursuit of the Wilder catcher. Photo by Doug Thurman

 Owyhee Auto Supply 337-4668	 J. Edward Perkins, Jr. D.C. 337-4900	 337-4041
 Owyhee Motor Sales 337-4664	 a family oriented practice New Patients Always Welcome 337-4383	 573-2133
 337-3271	 337-4681	 337-3474
 337-3115	 337-3142	 337-4837
 337-3115	 337-4866	 30 Minute Workout for Women 337-4040

Sports

STATE CHAMPIONSHIP SEASON ARRIVES



Homedale golfer makes State

Homedale High School sophomore golfer Ryan Garrett hits his second shot on hole No. 10 during last week's 3A District III Golf Tournament in Payette. Garrett holed this shot from 140 yards out for an eagle at Scotch Pines Golf Course. He went on to shoot a 78, which tied him for fourth place in individual play and earned him a trip to the 3A state tournament this week in Post Falls. Photo by Gregg Garrett

Clutch shot sparks soph

Homedale team can't soar on wings of Garrett's eagle

It was the type of shot one expects in a championship format, and it helped salvage a frustrating day.

Sophomore Ryan Garrett channeled the best iron golfers in the sport May 7 when he holed a 130-yard shot for eagle on the par-4 10th hole at Scotch Pines Golf Course in Payette.

When Garrett used an 8-iron to smack his second shot from 130 yards out on the 330-yard hole, reaching the green was not the question.

But when the ball bit 2 feet past the cup and spun back in for an eagle, the amazing shot turned into the catalyst for his state-tournament qualifying score of a 6-over-par 78. Payette's Nick Morrison was 1-under-par to win medalist honors. The top six individuals qualified for Monday's 18-hole state tourney.

Garrett and the other five top individuals from last week's 3A District III Tournament competed for the state championship Monday at Post Falls-Prairie Falls Golf Club. Results weren't available at press time.

Garrett's teammates couldn't feed off his momentum, however, and Homedale missed out on a

trip to the team competition at State.

The Trojans finished eight shots behind second-place Payette. Fruitland, which had shared the 3A Snake River Valley conference championship with Homedale, scored a 319 and won the district title by three strokes over the Pirates.

"All of the guys improved during the season, and I look forward to all of them returning next year and continuing that improvement," said Dave Thompson, who complete his second season as Homedale coach.

The Trojans had only two seniors on the roster at the beginning of practice this year — Kyle Miyasako and Trevor Krzesnik.

Krzesnik fired an 82 in his final competition for Homedale last week.

"Trevor Krzesnik has been a great leader, and we will certainly miss his score week in and week out as well as the intangible things he brings to the course," Thompson said.

Grant Sweet, another youngster on the squad, carded an 83 at the district tournament. Rounding out the day were Jordan Pegrum at 87

and Reece Landa at 88.

"All of the guys fought and ground out what they could, but we came up short," Thompson said.

JVs just miss title

Thompson's assertion that Homedale has a bright future on the links was backed up Wednesday when Ryan Ryska dominated the field to win the individual district championship in Weiser.

Ryska cleared the field by four strokes while carding an 88 at Rolling Hills Golf Course.

Homedale lost a one-hole playoff with Payette for the team championship. Both teams finished the 18 holes of regulation tied at 378.

"Our JV guys had a great year," Thompson said. "We have been medalist in just about every match we have been to, and on several occasion our JV team score would have beaten several of the varsity squads in attendance."

Mat Hansen was second in line with the Trojans after his 95. Rounding out Homedale's scoring were: Jonathan Verwer (97), Dylan Kushlan (98) and Zach Tolmie (110).

Myers one of five seniors in hunt for 3A tennis crowns

Trojans' top boys singles player grabs silver medal at district tourney

Five seniors will end their Homedale High School tennis careers in the 3A state tournament this week.

Joshua Myers will compete in the boys singles bracket, while Vanessa Brown and Chanda Cox battle for the girls doubles title and Emily Verwer and Levi Jones play for glory in mixed doubles.

Myers lost his second consecutive match to Parma's Bryant Timmons during Saturday's 3A District III boys singles championship match. Timmons helped the Panthers to another district championship with a 6-2, 6-1 defeat of Myers.

"I think he'll be a top three at state," second-year Trojans coach Mark Weekes said of Myers, who is making a return trip to State.

The state tournament takes place Friday and Saturday at three Boise locations: Fort Boise Community Center, Boise High School and Camels Back Park.

Verwer and Jones were bronze medalists during the district tournament, needing three sets to win their third-place match against a Fruitland team, 6-3, 4-6, 6-4. Weekes foresees a chance at a top-five finish in the state tournament.

Brown and Cox earned the fifth and final 3A District III berth into the state tournament for girls doubles.

They won their fifth-place match in three sets, 6-3, 6-7, 7-5,

over a team from Weiser.

Homedale entries lost a pair of fifth-place matches, too.

Weiser's Liz Hullinger ended the prep career of Trojans' No. 1 girls singles player Shanae Galloway, 6-3, 4-6, 6-2.

Homedale's boys doubles team of Andrew Bingham and Caleb Johnson, both seniors, dropped its fifth-place encounter to a team from Parma.

With a slew of seniors on the squad in 2007, Weekes has begun the recruitment process early for next season.

"If you like good competition and are interested in playing tennis then Trojan tennis is the place for you stop by and talk to one of the coaches," Weekes said.



Joshua Myers



Emily Verwer



Vanessa Brown

Suitable for framing

Buy your favorite Avalanche photos

\$4 per 4x6 print
\$5 per 8x10 print
\$2 per image saved to CD-ROM

Call (208) 337-4681 for more information

Note: Photos by Gregg Garrett available through him; submitted photos not for sale

The Owyhee Avalanche



The Owyhee Avalanche
Owyhee County's best source for local news!!

Sports

STATE CHAMPIONSHIP SEASON ARRIVES

School shows its appreciation for piece of district championship

Homedale High School track and field coach Thomas Thomas poses in front of a banner signifying the Trojans' success at the 3A District III championship. He's holding the championship plaque from the Moke Strong Canyon County Classic because Weiser won the coin flip and the right to take home the district championship plaque. A duplicate will be made for the Trojans.



√ Boys: District championship split when Weiser wins 4x400 relay race

From Page 1B

ran the race in 3 minutes, 37.43 seconds.

McCall-Donnelly was second in 3:44.35, and the Trojans' foursome of freshman Trent Acree, junior Austin Ferguson and seniors Josh Ryska and Chris Anders finished third, more than eight seconds behind Weiser.

Earlier in the final day, Acree kicked off another record performance for the 4x100 relay team. Acree and the senior posse of Mark Vance, David Liddell and Matt Holloway rolled up a 43.94 to win the district championship, bettering their time from the Moke Strong Canyon County Classic six days earlier by .05 seconds.

Thomas said that the mark still will be recorded as 44 seconds flat — and officially as a tie of the original mark — because times are rounded up to the nearest tenth of a second because of hand-timing.

The Trojans' 4x100 team will be among a strong group of athletes competing in the 3A state tournament at Bronco Stadium in Boise, which begins Thursday afternoon.

Homedale will have 14 athletes in 12 different events at the state meet, beginning at 7 p.m. Thursday with the boys triple jump (Vance and sophomore Austin Emry), the girls triple jump (sophomore Annamaria Salas and senior Jordan Warwick) and the girls shot put (freshman Nickole D'Alessio).

Senior Sarah Black competes in the girls pole vault at 5:30 p.m. Friday.

Thomas announced Monday morning that Vance (boys long jump) and Katie Holloway (girls high jump) had earned at-large berths into the state meet. The Trojans' boys 4x200 relay team (Acree, Emry, Vance and Anders) also will be going as an at-large entry.

Eight boys and six girls will compete at State for the Trojans.

In addition to the 4x100 district championship, these Trojans also brought district gold in six other events:

- Salas in the triple jump (31 feet, 3¾ inches)
- D'Alessio in the shot (32-11½)
- Liddell in the 100 dash (10.85) and the 200 (23.11)
- Emry, who led a top-three sweep in the high jump by clearing 6-4 (he missed on two attempts at 6-6) and the long jump (21-5¼)

"We had kids who excelled and had a lot of PRs," Thomas said.

Liddell, who is competing in track for the first time in his high school career, blazed to a career-best in the 100 sprint. He'll face off with Shelley's Darryl Simons and Nick Puckett of Timberlake.

The 100 preliminary heats are scheduled to start after 11:30 a.m. Friday.

Freshman Kindra Galloway will represent the Trojans in both girls sprints after finishing second in both the 100 and 200



Liddell makes State in long jump

Senior David Liddell finished second to teammate Austin Emry during last week's district championships in Fruitland. Both qualified for the state meet. Photo by Brian Shirk/Avalanche Photography McCall

last week.

"I thought the girls looked pretty well, actually," Thomas said, adding he was "real impressed" with Galloway's performance. "It was their best meet."

Liddell will be joined in the 200 preliminaries by senior teammate Matt Holloway, who finished third in the Thursday's district final.

Thomas sees Shelley as Homedale's top challengers

in the race to the boys state championship.

"I expect to finish in the top four at State," the coach said. "Shelley, Snake River and Timberlake are tough.

"The top four has been our goal all year."

Shelley will be the Trojans' top competition in the 4x100 as well. The Russets and Trojans have been trading the state's top 3A time all year.

Homedale would have to shave a half-second off its school-record time to threaten Jerome's 11-year-old state record in the 4x100.

Anders will compete in the 300 intermediate hurdles preliminaries Thursday after finishing second to Payette's Kyle Tschirgi in last week's district final. Anders was fourth at State as a junior.

The finals for the 300 IH and sprints will be held Saturday. The action begins at 9:30 a.m.

The boys 1,600 meters final also will be held Saturday, when Tolmie will compete after finishing third in 5:02.95 at the district meet.

Friday's state meet field events schedule will be dotted with Homedale athletes as three will compete in the boys long jump, three in the boys high jump and one in the girls discus.

Emry, Holloway and Ferguson stood alone in the district high jump finals Thursday, and each successfully cleared 6-2 in their sudden-death shuffle of the top three. Emry was the only one to clear at 6-4, and Ferguson was given the silver medal based on the number of attempts he took to clear 6-2.

Liddell soared 21-3¾ in the long jump and will join Emry in the state meet. Vance earned an at-large berth in the state meet even though he finished fourth in the district long jump and only the top three automatically qualify.

D'Alessio earned the district's final spot in the state meet with a third-place throw of 96-3.

— JPB

Avalanche Photography LLC

Fine Art -- Portraiture -- Sports -- Events

District Track Photos Available Online

www.AvalanchePhotography.com

Sports

STATE CHAMPIONSHIP SEASON ARRIVES

Siblings uphold Heller history in throws

Marsing track family returns to 2A meet with state titles in mind

Holly Heller is one of the top weight-throwers in 2A District III. Some would say she had no choice in the matter.

Holly is the daughter of Marsing High School track and field coach Don Heller. Her big brother is former 2A shot put state champion Cody Heller. Her younger sibling, Tyson, just pulled off the district championship in the shot put last weekend.

"It's just kinda in the family," Holly said after qualifying for this week's state championship meet in the shot put.

"Growing up seeing Cody be so great at it, I always looked up to him."

Cody now competes for Northwest Nazarene University, but he still has his hands in the Huskies program.

"Cody has been out at practice showing the kids things that the coaches don't know, things that he learned this year (at NNU)," Don Heller said Friday.

Don and his wife, Wendy, had to be proud parents at the conclusion of the district meet Saturday in Parma.

After all, both their kids had qualified for the state meet and a chance to uphold the family legacy established by Cody.

The state meet begins Thursday at Bronco Stadium in Boise.

Success in the throwing events is so ingrained in the Heller children that it's not a stretch to think that — if there is a family crest somewhere in the recesses of their ancestry — a shot put and discus undoubtedly are forged into the fabric.



Success runs in the family

Above: Marsing High School freshman Tyson Heller looks on after he received his first-place for winning the 2A District III shot put championship Friday in Parma. **Right:** Junior Holly Heller, Tyson's older sister, prepares to uncork a discus throw Friday. She qualified for the state meet with a third-place finish.

In addition to winning the district shot put title, Tyson earned the fourth and final spot in the discus. He threw 125 feet, 7 inches and finished seven feet behind district champion Kevin Borts, a senior from New Plymouth.

Tyson won the shot put crown with an effort of 44-6½, which is less than 7 feet shorter than his brother's school record.

"He coaches me a lot," Tyson said of his older brother. "He helps me out and makes me a lot better."

"We worked on my legs and different things I needed to adjust."

Cody has emerged as a hero of sorts for his younger siblings.

"I've always been my own person, but I look up to Cody a

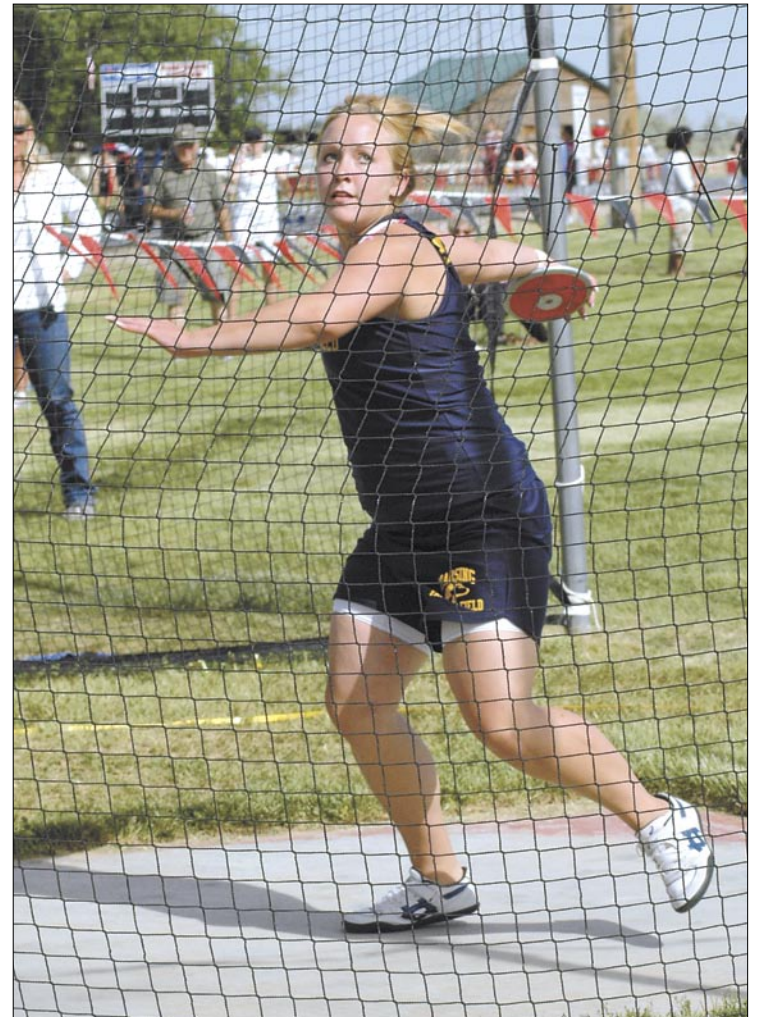
lot," Holly said. "He's made a lot of right decisions."

Holly has had some decisions of her own to make during her junior year.

She missed the first half of the girls basketball season with a lingering back injury from her sophomore year on the hardwood. Then, the injury cropped up again during the track season, limiting her ability to hone her technique.

"I feel good," Holly said Friday. "After coming in today and scratching on my first two throws, I'm in the (discus) finals with an 88."

Later in the day, Holly parlayed that 88 into a third-place mark of 95-1, which punched a ticket to the state meet.



"I feel I can go for it in practice now," she said. "(Thursday) night, I threw 110 feet."

Practicing the shot put was a different story. In fact, she hasn't thrown the shot in practice all season.

"I've just been working on my technique and footwork," Holly said.

She struggled in the shot put during the district meet and fell short of a state berth. The junior threw the shot 29-10, but finished

in sixth-place. Holly was 8½ inches behind the best mark of fourth-place Arie Beard of Parma.

Still, Holly can take solace in the fact that she's the big sister who will help show her younger brother the ropes during the state meet this week.

"It's very special," she said of having Tyson in the meet with her. "I was very excited to see him make it."

— JPB



Freshman off to a good start

Jessica Freeman leaps during a 100 girls hurdles preliminary.

✓ Marsing: Sauer takes 3rd in triple jump

From Page 1B

when the 2A girls discus competition is held. She was third in the district meet with a throw of 95-1. She finished sixth in the shot put and failed to advance because only the top four marks in each individual event qualify for the state meet.

Sauer jumped 36-8½ to earn a bronze medal in the district triple jump. He was 8 inches shy of a qualifying spot in the long jump as Sauer's 17-4 was fifth behind an 18-foot performance by Melba sophomore Jarod Klahn.

Sauer also finished sixth in the 200 meters at 24 seconds flat.

Junior Marcus Miller also had a close call in the pole vault. He cleared 9 feet, but had to settle for fifth place, one spot off the invitation list for State.

Miller finished sixth in the 300 intermediate hurdles (49.0), while freshman Brandon Walgammott logged an impressive sixth-place time of 22.1 in the 110 high hurdles.

On the girls side, junior Amanda Staudenmier was 1.1 seconds away from a trip to the 400 meters state meet competition. Staudenmier finished fifth in 1 minutes, 7.1 seconds, while Parma freshman Becca Cox clinched the final District III state berth with a time of 1:06.

Staudenmier also was sixth in the triple jump at 29-4½.

Two Marsing girls relay teams finished third in a format that sends only the champion to the state meet. With Nampa Christian leading the way in both events, the Huskies ran a 1:57.6 in the 4x200

relay and a 4:40.9 in the 4x400.

Freshmen showed their stuff last weekend for the Marsing girls, too. Amelia McIntyre was sixth in the high jump at 4-4, and she placed eighth in the 300 low hurdles final (1:00.9) after running a 59.3 in the qualifying heats.

McIntyre also ran the 10th-fastest preliminary in the 100 high hurdles. Teammate Jessica Freeman, another ninth-grader, was seventh in the final in 19.2.

Freeman also finished 10th in the long jump at 13-3¼.

Junior Elisa Moreno was seventh in both the 100 (14.2) and the 200 (29.4).

In the girls pole vault, Owyhee County resident Emily Romero, a senior at Melba, won the district championship by clearing 10 feet.

Sports



Not in time to save run

Homedale junior varsity pitcher Tyler Gibson gets to the plate in time to make a play, but the ball never arrives as Payette's Neil Allison — Gibson's pitching opponent — dives into home plate with a run early during a May 7 tournament game.

Homedale JV derailed

Payette High School stormed from behind last week to end one of the most successful Homedale junior varsity baseball seasons in recent memory.

The Pirates rode a five-run third inning to a 10-7 victory in the opening round of the 3A Snake River Valley conference tournament played May 7 on the Trojans' home field.

"The players improved greatly over the season and really came together as a team," Trojans assistant coach Mark Thatcher said.

Homedale (9-8 overall) grabbed an early three-run lead against Payette, but couldn't complete the comeback.

"We had our chances early in the game to put more runs on the board, but instead left the bases loaded twice," Thatcher said.

Homedale led 3-0 after one inning, but Payette posted a five-run third inning en route to putting up seven unanswered runs.

Catcher Tyler Ford singled twice for the Trojans, while Jarrod Driskell pounded a double and John Bittick notched a base hit.

Tyler Gibson took the losing, going the distance for the Trojans.

Thatcher said Homedale beat each of their opponents at least once during the season, save for a season sweep at the hands of Fruitland.

Season ends for Trojans

One bad inning ended the Homedale High School baseball season Thursday.

Playing on its home turf, Payette used four hits and an error to score six runs, setting up a 12-7 victory in an elimination game of the 3A District III Tournament played at Harmon Killebrew Field.

"I was pleased with the way the kids came out," Trojans coach Tim Fulwood said. "They were focused for the first three innings and played with a lot of intensity."

"We were playing well until the fourth inning. Payette got hot in the fourth inning and jumped on us."

The victory propelled the Pirates onto their first state tournament berth in 12 years.

Homedale (7-12 overall) stayed one step ahead of Payette in the game's early going.

Josh Jolley and Eric Wilbur gave the Trojans a 2-0 lead in the top of the second inning. Jolley was hit by a pitch to lead off the inning. After a stolen base and groundout, he scored on Wilbur's base hit. A senior at Notus playing as a co-op with Homedale, Wilbur scored on an infield error.

Seniors Ryan Johnson and Brandt Graber collected one-out singles in the third inning, with Johnson giving Homedale a 3-1

lead when another Notus product, starting pitcher Darren Burdine, reached on a fielder's choice.

Payette continued to chip away, scoring another run off Burdine in the third inning before the seepage turned into a flood in the fourth inning.

"The guys played hard, and they never quit," Fulwood said.

Trailing 8-3 in the sixth, Homedale tried to rally but couldn't come up with the inning-breaking hit. Wilbur led off with a walk and stole two bases before scoring, but Joey Cline was stranded at third base after collecting a two-out walk and swiping a pair of bases.

Homedale's last-gasp rally in the seventh netted three runs, but the Trojans began the inning looking as if they'd run Payette out of the game.

The first three batters in the inning reached base, with Jolley ripping a two-run single to plate Graber, who had led off with a walk, and Burdine, who had singled.

Jolley scored later in the inning, but Wilbur was thrown out trying to steal third base to end the game.

Jolley was 2-for-2 with two runs scored and two RBIs in his final game with Homedale. Another senior, Johnson was 1-

for-4 with a run scored.

Fulwood tipped his cap to his nucleus of seniors who spent four seasons with the club, including infielder/pitcher Johnson, outfielder/pitcher Guillermo Machuca, catcher Jolley and first baseman Jared Brockett.

"I appreciate the seniors this year who have been with the program for four years," Fulwood said. "They have been loyal to the program and committed."

"They did everything that we asked."

Homedale collected seven hits, while Burdine and reliever Machuca — both seniors — allowed nine hits to the Pirates.

"Obviously, we did reach the goals that we set for ourselves," Fulwood said of the season. "There were a lot of unforeseen circumstances."

Earlier in the year, the coach said a lack of clutch hitting hurt Homedale. Last week, he said the Trojans were a couple clutch plays from a winning record.

"It seemed we were living by Murphy's Law all year long. In retrospect, we had quite a few games we should have won," he said. "If we made a play here or there, we probably would have won five games that we lost and had a better record."

— JPB

Marsing Huskies

Baseball

CONGRATULATIONS
on a GREAT SEASON!

Softball

CONGRATULATIONS
on a GREAT SEASON!

Track & Field

Thursday-Saturday, May 17-19 at 2A state championship meet, Bronco Stadium, Boise State University



The Owyhee Avalanche

Huskies bow out in 9 innings

Marsing High School fought until the end in what turned out to be the Huskies baseball season finale.

Taylor Nielsen pitched six strong innings, dodging three unearned runs, to put his team in a position to stay alive in the 2A District III Tournament in Melba.

But Parma scored with two outs in the bottom of the ninth inning to eliminate Marsing with a 6-5 second-round victory May 8.

David Kiser drew a leadoff walk in the ninth inning against Marsing reliever Matt Hill. Two outs later, Ian Stewart drove a single down the left-field line to end the game.

The Panthers had swept Marsing (5-16 overall) in a 2A Western Idaho Conference doubleheader on the final day of the regular season just six days earlier.

Facing elimination after an opening-round, 15-8 loss in New Plymouth, the Huskies came out swinging against Parma starter Kiser to own a 3-0 lead after a half-inning.

The first four base runners reached for the Huskies. Kiser plunked Sean Finley with the second pitch of the game then surrendered back-to-back singles to Mike Moore and Nielsen. Finley had swiped second and third base and scored on Moore's

base hit. Moore motored home from second base on Nielsen single to center field.

Nielsen scored when Nic Marmon beat out a single in the hole at shortstop.

The early cushion allowed Nielsen to put in one of his most impressive pitching performances of the season. He struck out 11 batters — including fanning the side in the second inning — and walked just three. He scattered eight hits over six innings.

Even with Finley drawing a walk and scoring for a 4-1 Marsing lead, Parma found a way back into the game in a hurry in the bottom of the third.

The Panthers put together four hits to tie the game 4-4.

Marmon collected his second single of the game and scored the go-ahead run on an error for a 5-4 Marsing lead in the fifth.

In the bottom of the inning, though, Parma knotted the score by cashing in on an error by second baseman Troy Dines. Two singles after the miscue, the Panthers were even again.

Kiser was 2-for-3 with two runs for Parma. Nielsen, who was 3-for-5 and reached base four times, paced Marsing's offense. He also knocked in a run. Marmon was 2-for-3 with a run and an RBI, and Moore had two hits with a run and

an RBI, too.

New Plymouth 15
Marsing 8

The Pilgrims had an answer for every Huskies uprising early in the game, wearing Marsing down in a first-round game played May 7 in New Plymouth.

Marsing tied the game 5-5 on Logan Glenn's two-run single in the third, but New Plymouth capitalized on four Huskies errors in the bottom of the inning to take control with a five-run rally.

The Pilgrims needed only one hit — Casey Feldner's second double of the game, which cleared the bases — during the game-changing rally.

New Plymouth put the game out of reach with another five-spot in the fourth inning, this time using four hits and an error to touch Marsing starter Nic Marmon.

Marsing scored twice in the first inning against New Plymouth starter Wes Hooten. Taylor Nielsen (single) and freshman Ethan Salove (double) knocked in runs with one-out hits. Salove, who was 2-for-4 with two RBIs chased home Nielsen, who had plated Sean Finley after the catcher's leadoff single.

Glenn collected three RBIs in his biggest game of the season for the Huskies.

Sports

Haylett named Cascade player of year

Former Trojan led OIT in batting

Homedale High School graduate Kelsi Haylett recently wrapped up her college softball career by earning the Cascade Conference Player of the Year Award for Oregon Tech last week.

Haylett's selection for the award was announced May 7.

Haylett won the conference batting crown with a .426 average while helping the Owls to a berth in the NAIA Region I softball tournament.

A three-sport star at OIT, Haylett also earned all-conference honors for her softball heroics.

Oregon Tech (32-12-1) was eliminated from the regional tournament in Surrey, British Columbia, with a 12-3 loss to Simon Fraser on Friday.

Haylett hit her only home run of the season in the loss.

Haylett led the Owls with 27 stolen bases this season, and raised her team-best batting average to .430 by the end of the year.

Haylett also has competed with the track team this spring after reaching the NAIA national meet as a junior.

In the winter, she was a starter on the women's basketball team.



Kelsi Haylett

PREP STANDINGS

Baseball

3A SRV	Conf.		All	
	W	L	W	L
FINAL Fruitland	8	0	23	4
Payette	4	4	17	8
Weiser	3	5	10	16
Homedale	3	5	7	12
McCall-Donnelly	2	6	5	14

3A District III Tournament At Harmon Killebrew Field, Payette Saturday

Game 1 — McCall-Donnelly 13, Homedale 10

Tuesday

Game 2 — Fruitland 10, McCall-Donnelly 1

Game 3 — Weiser 11, Payette 1

Thursday

Game 4 — Payette 12, Homedale 7. Homedale eliminated

Championship — Fruitland 8, Weiser 5. Fruitland to 3A state tournament at TVCC, Ontario, Ore.

Saturday

Consolation final — Payette 10, McCall-Donnelly 9. McCall-Donnelly eliminated

Runner-up game — Payette 11, Weiser 6. Payette to 3A state tournament

2A WIC	Conf.		All	
	W	L	W	L
FINAL Nampa Christian	7	1	18	7
Melba	7	1	16	6
Parma	3	5	5	16
New Plymouth	3	5	5	14
Marsing	0	8	5	17

2A District III Tournament At home field of highest seed Monday

Game 1 — New Plymouth 15, Marsing 8

Game 2 — Melba 25, Parma 5

At Melba High School Tuesday, May 8

Game 3 — Parma 6, Marsing 5 (9). Marsing eliminated

Game 4 — Nampa Christian 13, New Plymouth 3 (5)

Thursday, May 10

Game 5 — Parma 4, New Plymouth 3

Championship — Nampa Christian 7, Melba 6 (8). Nampa Christian to 2A state tournament at Rodeo Park, Nampa

Saturday, May 12

Runner-up game — Melba def. Parma. Both qualify for 2A state tournament

1A WIC	Conf.		All	
	W	L	W	L
Rimrock	Cancelled		2	8

1A state tournament Played in Caldwell Friday

Game 1 — Kendrick vs. Timberline-Wiepe, 9:30 a.m.

Game 2 — Rimrock vs. Genesee, 11:45 a.m.

Game 3 — Kendrick-Timberline loser vs. Rimrock-Genesee loser, 2 p.m. Loser eliminated

Game 4 — Kendrick-Timberline winner vs. Rimrock-Genesee winner, 4:15 p.m.

Saturday

Game 5 — Game 3 winner vs. Game 4 loser, 9:30 a.m. Loser eliminated

Championship, Game 1 — Game 4 winner vs. Game 5 winner, 11:45 a.m.

Championship, Game 2 — Game 4 winner vs. Game 5 winner, 2 p.m., if necessary

Softball

3A SRV	Conf.		All	
	W	L	W	L
FINAL Payette	7	1	21	6
Fruitland	5	3	12	9
McCall-Donnelly	4	4	13	8
Weiser	3	5	6	21
Homedale	1	7	9	13

3A District III Tournament Fairway Park, McCall Tuesday

Game 1 — Homedale 5, Weiser 0

Game 2 — McCall-Donnelly 4, Fruitland 2

Game 3 — Payette 4, Homedale 3 (8)

Game 4 — Fruitland 5, Weiser 0. Weiser eliminated

Thursday

Championship — McCall-Donnelly 7, Payette 5. McCall-Donnelly to 3A state tournament, Ward Field, Pocatello, Tues-

— See Results, page 7B

Native: Ankeny spent seven years at East Texas Baptist

From Page 1B

Obviously, it wasn't a big deal for the LaVerne administration, either.

"I am pleased and proud to announce Andrew Ankeny as our new head football coach at the University of La Verne," LaVerne athletic director Chris Ragsdale said in a press release on the school's Web site. "He has sound experience as a coordinator and has shown remarkable success in his recruiting efforts. The hiring of Coach Ankeny signifies a new era of Leopard football and affirms our commitment to provide our student-athletes and fans with a leader who is committed to excellence across the board."

The Leopards compete in the Southern California Intercollegiate Athletic Conference (SCIAC). The team was 3-3 in conference and 3-6 overall in 2006.

Ankeny comes to LaVerne after seven seasons in various coaching capacities at East Texas Baptist University in Marshall, Texas. Most recently he was running backs coach and special teams coordinator, but he had served as assistant head coach and defensive coordinator from 2003 to 2005.

"We are happy for Andy and his family with this great opportunity," new ETBU head coach Mark Sartain said. "He is one of the most professional, classy young coaches I've ever had the opportunity to work with, and he'll do a great job as a head coach. He's ready."

Ankeny spent seven seasons at ETBU under head coach

About Andy Ankeny

Andy Ankeny is a 1993 graduate of Homedale High School, where he helped teams coached by Jim McMillan win back-to-back 2A state championships in 1991 and 1992.

Those teams were 24-0 during that time, and Ankeny went on to play at NAIA Taylor University in Indiana.

He's the son of Homedale High School teacher Doug Ankeny and Susan Ankeny, who is the library manager at Homedale Middle School.

Andy Ankeny is married, and he and his wife, Kate, have a daughter, Zane, and a son Elijah.

Ankeny earned a bachelor's degree at Taylor and completed a master's in Athletic Administration at Ball State shortly before arriving at East Texas Baptist University in 2000.



Andy Ankeny

Ralph Harris, who resigned in November. Ankeny arrived on the ground floor in 2000 when the Tigers began football. He coached wide receivers that season before tutoring tight ends in 2001 and moving to secondary coach in 2002.

Ankeny flourished on the defensive side of the ball, and earned a promotion to assistant head coach and defensive coordinator prior to the 2003 season.

The son of Homedale High School teacher, and his junior high school coach, Doug Ankeny and Homedale Middle School library manager Susan Ankeny, Andy Ankeny said he hopes to shake a little Idaho talent into the Leopards mix.

And he thinks that the lack

of lower-division NCAA opportunities for local student-athletes plays to his advantage — even if his late hiring puts him about three months behind the recruitment curve at a school that's not allowed to offer athletic scholarships.

"I think the valley is a pretty good gold mine, and I'm connected up with a few of the coaches in the area," he said. "To try to connect up with some of the coaches I know in the valley to get a kid down to Southern California for four years is one thing I'd like to do."

Never mind the fact that recruiting trips to the area will give Ankeny a chance to return to his old stamping grounds, where he planted the seeds of his coaching career by conspiring with his younger brother, Luke,

to draw up plays while sitting behind the bench during his dad's junior high school girls basketball games.

"We're really proud of his efforts and his tenacity of staying with it even though a year or so ago, he was thinking of getting out," Dennis Ankeny said of his eldest son.

"We're glad he stuck with it and decided to continue to help teach young men."

The Ankenys moved to Homedale when Andy was 2 years old, and Andy grew up in that football rich environment, eventually playing wide receiver and defensive back on two state championship teams.

"I think it is a great honor to have a Homedale grad as the head coach of a NCAA program," McMillan said. "He had a lot to do with the success of those (state championship) teams."

"More than that, he is a tremendous individual that will do a great job and be an excellent role model for the kids he is coaching."

Ankeny said growing up in Homedale and playing for McMillan and assistant Stan Hoaglun helped shape his coaching philosophy.

"I look back on a lot of things that they did in regards to organization and how they prepared us and handled us," Ankeny said. "I've looked back on that as things that I could have grown from and built on."

"My football experience in Homedale was unbelievable." — JPB

HMS hoops tournament nearing its conclusion

The Homedale Middle School's staff/student basketball league postseason tournament is down to the final game.

The championship game will be played before school Monday

at HMS.

Consolation bracket games are scheduled for zero-hour (before school) in the B bracket on Friday and the C bracket on Thursday.

Youth football organizational meeting planned in Homedale

An organizational meeting exploring the possibility of a youth football league in Homedale will be held Thursday at the Owyhee Lanes Restaurant.

The meeting begins at 8 p.m.

Parents are encouraged to attend and give input or get further information on the league, which would be open to first- through fourth-graders and could begin play as early as the fall.

The league would be run through the Homedale city recreation department.

For more information, call Dirk Tolmie at 337-4644.

Look for the Avalanche every Wednesday

Sports

PREP BASEBALL STATISTICS

Homedale Trojans

Batting	G	AB	H	2B	3B	HR	R	RBI	SB	Avg.
Davis	18	61	25	5	1	0	13	17	20	.410
Burdine	11	33	12	0	0	0	11	6	14	.364
Johnson	19	67	23	5	0	0	20	12	9	.343
Jolley	19	47	16	5	0	1	16	13	11	.340
Wilbur	10	28	9	0	1	0	12	4	11	.321
Garcia	12	34	10	3	1	0	12	5	3	.294
Graber	18	59	16	2	0	0	13	5	7	.271
Machuca	16	48	9	3	0	0	6	7	0	.188
Cline	16	36	6	0	0	0	7	5	4	.167
Brockett	19	52	7	0	0	0	8	8	2	.135
Rangel	8	20	2	1	0	0	1	2	0	.100
Marrs	7	7	2	0	0	0	2	2	0	.286
Bittick	7	8	0	0	0	0	0	0	0	.000
Villarreal	2	3	1	0	0	0	1	0	1	.333
Ford	1	2	0	0	0	0	0	0	0	.000
Quintana	1	1	0	0	0	0	0	0	0	.000
Totals	19	506	138	24	3	1	122	86	82	.273

Pitching	G	GS	W	L	IP	H	R	ER	SO	BB	ERA
Garcia	2	1	0	0	5	4	2	1	6	4	1.40
Rangel	3	0	0	1	4 1/3	7	7	6	4	1	9.69
Cline	2	0	0	1	2	5	7	4	0	4	14.00
Johnson	12	10	4	5	45	47	51	34	30	45	5.29
Jolley	3	2	0	1	4 2/3	7	15	12	4	7	18.00
Machuca	11	1	1	0	25 2/3	23	31	19	15	15	5.18
Burdine	7	5	2	4	31 1/3	46	32	27	27	11	6.03
Totals	19	19	7	12	87	139	145	103	86	87	8.32

Marsing Huskies

Batting	G	AB	H	2B	3B	HR	R	RBI	SB	Avg.
T. Nielsen	20	66	30	8	0	1	23	16	19	.455
McClellin	14	44	20	7	3	0	16	20	13	.455
Finley	20	60	23	3	1	0	27	5	26	.383
Moore	16	48	16	0	1	0	10	3	9	.333
Marmon	19	58	18	0	0	0	11	11	8	.310
Galvez	19	44	12	4	1	0	18	8	4	.273
Salove	21	65	17	3	1	0	14	16	4	.262
Hill	18	49	10	2	0	0	10	8	3	.204
Dines	18	50	9	0	0	0	13	7	1	.180
Miller	16	29	3	0	0	0	4	2	1	.103
Anderson	8	10	3	1	0	0	2	5	0	.300
Glenn	8	13	1	0	0	0	2	1	1	.077
Young	2	2	1	0	0	0	0	1	0	.000
Totals	22	428	113	13	4	0	111	67	57	.264

Pitching	G	GS	W	L	IP	H	R	ER	SO	BB	ERA
Salove	8	3	0	2	21	44	51	23	11	12	7.67
T. Nielsen	10	6	3	3	36 1/3	62	52	20	35	14	3.85
Dines	8	4	0	1	13	42	44	27	13	15	14.54
Marmon	6	5	1	5	31 2/3	47	46	19	12	25	4.20
Hill	4	1	0	3	12 2/3	27	26	16	7	10	8.84
Galvez	6	2	1	2	12 2/3	18	21	8	9	7	4.42
Moore	1	0	0	0	1/3	1	0	0	1	1	0.00
McClellin	1	0	0	0	1 2/3	4	8	2	2	3	8.40
Totals	21	21	5	16	129 1/3	245	248	115	90	87	6.22

Rimrock Raiders

Batting	G	AB	H	2B	3B	HR	R	RBI	SB	Avg.
Meyers	8	34	11	3	0	0	13	5	8	.324
R. Araujo	6	17	9	3	0	0	6	6	5	.529
Hofer	8	25	8	3	0	0	5	4	7	.320
McCarthy	7	13	1	0	0	0	0	0	0	.077
Thomas	7	24	13	3	0	0	11	4	12	.542
Snyder	8	21	4	0	1	0	3	3	1	.190
Gomez	8	7	1	0	0	0	2	1	1	.143
Ontiveros	7	17	6	0	0	0	2	3	0	.353
Draper	8	25	11	4	0	0	5	2	7	.440
Dick	4	5	1	0	0	0	0	0	0	.200
Ri. Hipwell	2	2	0	0	0	0	2	0	0	.000
J. Araujo	6	13	3	1	0	0	3	2	2	.231
Bol	4	5	0	0	0	0	2	0	0	.000
Rarick	5	5	0	0	0	0	0	0	0	.000
Totals	8	213	68	17	1	0	54	30	43	.319

Note — May 1 game against Glens Ferry not included

PREP SOFTBALL STATISTICS

Homedale Trojans

Batting	G	AB	H	2B	3B	HR	R	RBI	SB	Avg.
Johnson	14	52	22	2	2	0	22	10	19	.423
Corta	14	43	15	1	0	0	15	5	15	.349
Ambeau	14	39	10	1	2	0	13	10	6	.256
Rupp	13	40	6	1	0	0	9	10	9	.150
Aberasturi	14	39	14	2	1	1	10	8	7	.359
Bertagnolli	12	13	2	0	0	0	3	2	4	.154
Thomson	13	18	3	0	0	0	5	4	4	.167
Shanley	14	33	12	2	0	0	6	9	7	.364
Hall	12	33	10	0	0	0	7	4	3	.303
Stansell	12	23	4	0	1	0	6	5	3	.174
Krzesnik	14	40	10	0	0	0	13	10	10	.250
Eubanks	14	14	3	0	0	0	3	4	1	.214
Totals	14	387	111	9	6	1	112	81	88	.287

Pitching	G	GS	W	L	IP	H	R	ER	SO	BB	ERA
Hall	10	10	4	6	63	51	52	31	41	12	3.44
Eubanks	5	4	2	2	25	26	30	23	12	23	6.44
Totals	14	14	6	8	88	77	82	54	53	35	4.30

Marsing Huskies

Batting	G	AB	H	2B	3B	HR	R	RBI	SB	Avg.
Stafford	16	40	8	2	0	0	8	8	10	.200
Elsberry	17	43	16	2	1	0	6	4	9	.372
Chenoweth	8	12	3	0	0	0	3	1	5	.250
Collett	17	48	12	3	1	0	10	10	4	.250
Evans	8	13	8	0	0	0	5	5	8	.615
Rost	16	12	2	1	0	0	5	2	2	.167
Beagley	14	38	3	0	0	0	4	4	3	.079
Clausen	17	40	13	6	1	0	11	11	10	.325
Villa	16	27	6	3	0	0	5	4	5	.222
Cobiskey	16	23	7	1	0	0	8	2	9	.304
Brewer	11	19	2	1	0	0	4	3	2	.105
Jackson	7	13	7	0	0	0	5	4	2	.538
Stahle	5	2	0	0	0	0	0	0	0	.000
Kinney	10	11	0	0	0	0	0	0	0	.000
Whitaker	10	10	2	0	0	0	2	0	0	.200
Marcial	5	4	1	1	0	0	1	0	0	.250
Daniel	15	25	6	2	0	0	4	6	3	.240
Totals	17	380	96	22	3	0	81	64	72	.253

Pitching	G	GS	W	L	IP	H	R	ER	SO	BB	ERA
Collet	17	17	4	13	89	145	251	114	51	97	8.97
Totals	17	17	4	13	89	145	251	114	51	97	8.97

Rimrock Raiders

Batting	G	AB	H	2B	3B	HR	R	RBI	SB	Avg.
B. Merrick	10	22	9	1	1	1	20	5	15	.409
Sh. Chandler	10	32	15	0	0	0	15	8	20	.469
K. Murray	9	35	10	1	0	0	8	9	8	.286
Boman	10	31	16	4	0	0	12	4	6	.516
Gray	6	7	0	0	0	0	7	2	4	.000
L. Murray	8	21	5	1	1	0	10	1	5	.238
Thurman	10	26	10	0	0	0	11	14	6	.385
Fisher	6	5	2	0	0	0	3	1	0	.400
Turner	4	2	0	0	0	0	1	0	0	.000
Lawson	3	9	0	0	0	0	4	0	1	.000
Schiermeier	7	19	5	0	0	0	8	0	6	.263
Zaragoza	8	21	10	2	0	0	11	1	8	.476
Timmons	9	26	14	0	0	0	12	5	4	.538
Gennette	4	2	0	0	0	0	1	0	1	.000
Richardson	2	2	2	0	0	0	2	0	1	1.000
Albendea	1	0	0	0	0	0	0	0	1	.000
Ontiveros	2	1	1	0	0	0	0	1	0	1.000
S. Merrick	1	1	1	0	0	0	0	0	0	1.000
Sa. Chandler	1	0	0	0	0	0	0	0	0	.000
Totals	10	262	100	9	2	1	125	51	86	.382

Pitching	G	GS	W	L	IP	H	R	ER	SO	BB	ERA
Chandler	10	10	8	2	61	74	57	50	66	38	5.74
Totals	10	10	8	2	61	74	57	50	66	38	5.74

Note — Statistics from District III Tournament games not received by press time

Results

From Page 6B

day-Saturday
Consolation final — Homedale 12, Fruitland 3. Fruitland eliminated
Runner-up game — Payette 5, Homedale 4. Payette to 3A state tournament

2A WIC	Conf.		All	
FINAL	W	L	W	L
Melba	8</			

Looking back...

from the files of The Owyhee Avalanche and Owyhee Chronicle

25 years ago

May 12, 1982

Jordan Valley rodeo this Saturday, Sunday

The "Big Loop" contest will again highlight the Jordan Valley Rodeo this Saturday and Sunday, May 15-16, according to Dennis Stanford, secretary.

The roping event, in which contestants must use a rawhide rope and a 20-foot loop, has drawn national recognition. First place prize is a handmade saddle for each of the two team members.

Other rodeo events include junior steer riding, cow riding, bull riding, junior girls' barrel racing, calf roping, team roping, bareback riding, and saddle bronc riding.

The barbecue will be held after the rodeo each of the two days, Stanford said.

Idaho First adds drive-up window service

A drive-up window is part of a remodeling program underway at the Idaho First National Bank in Homedale, according to Mike Henrikson, assistant manager.

Henrikson said Monday the remodeling includes rearranging the teller counter parallel to the north wall, new flooring, and other facelifting.

The drive-up window will allow for greater volume in transactions in a given period of time, and faster customer service, Henrikson said. The window is scheduled to be in operation later this week.

Administrators honor Taggart

Nolan Taggart, principal at Homedale Junior High School for the past six years, was honored at the April 19 meeting of the Western Idaho Conference Junior High Administrators.

Taggart, a past WIC president and the current secretary, received an engraved plaque in appreciation for his 19 years of leadership and dedicated work in junior high athletics. The honor was a surprise to Taggart.

Jack Little, president of WIC and principal of Fruitland Junior High School, presented the award at the meeting in the Homedale Junior High conference room.

Homedale clinches baseball title

Homedale clinched a tie for the WIC league title Thursday afternoon with a come-from-behind win over New Plymouth.

Mike Collins scored on a wild pitch with two outs in the bottom of the seventh inning to lift the Trojans to a 4-3 nail biter over New Plymouth. Collins had walked, moved to second on a passed ball, and stole third to set up the winning run.

The win gives Homedale a 12-2 conference record and 12-4 overall as the Trojans await next week's district tournament.

Darren Krzesnik hurled a one-hitter and fanned 12, but the Pilgrims took whatever they could get, including a two-run rally in the seventh to tie the score at 3-3.

Band, choir present annual spring concert

Homedale High School Bands and Choir presented a Spring Concert last Tuesday evening under the direction of Royce Mitchell, music department instructor.

Awards were presented at the close of the program to Becky Burman of the concert band and Cam Murray of the swing choir.

Concert band numbers were "Bright on the Beach," Night Wind," Ice Castles," Shogun" and "Variation Overture." Flute solos were played by Janice King, "Meditation" and Christie Bautista, "Berceuse." Piano solos played by Josie Isaguirre and Shannon Nash were "Sonatina" and "Variations on a Theme" respectively. Other solos were by Diane Bruneel, French horn, "Andromeda" and Mark Thatcher, tuba, "Concertante."

Other band members are Drew Ash, Jim Briggs, Arlene Burman, Stephanie Carson, Janet Courter, David Hyde, Kevin Kent, Rocky Nix, Suzette Siebold, Randy Shanley, Margaret Vance, Debbie Williams, Cindy Yamamoto.

50 years ago

May 16, 1957

School levy proposals pass; Eidemiller re-elected

Two levy proposals were approved at the second special election of the Joint Class A School District No. 370, Owyhee and Canyon Counties, held at the high school Monday.

Albert Eidemiller was re-elected trustee for District No. 3 which included that part of Fargo and Central Cove lying within the Homedale district. Mr. Eidemiller received 61 votes and Dick Boehner, 29. There were 90 votes cast.

The proposal asking for authority of the board of trustees to levy not more than 12 mills in addition to the 13 mills which the board already had made according to law, passed with a vote of 179 yes and 36 no. A total of 219 persons voted with some failing to vote on both levies.

The proposal asking for authority to levy not more than 5 mills in addition to the 13 mills already authorized in addition to the 12 mills asked in the first proposal. This received a vote of 158 yes and 51 no. The levy election had previously been voted down April 30.

Mrs. Wanda Baker served as clerk with Mrs. Dora Upton and Mrs. Kathryn Matteson, judges.

Chamber has large turnout at meeting Tuesday noon

The Chamber of Commerce met at El Gavilan Tuesday at noon with 25 attending. This was the largest turnout for year, according to Kenneth Downing, secretary-treasurer.

The Grassman of the year contest, which is a program to encourage rotation and soil conservation practices, was discussed. It was decided that the chamber together with the Marsing chamber of commerce will again sponsor an Owyhee county entry.

Graveling of the Cherry creek road to Scott's resort area was another program, which the chamber decided to undertake. An effort is going to be made to get assistance from neighboring chamber of commerce to aid with either money or donation work to get the road graveled. Although the road is in Oregon, many Idahoans make use of it, Mr. Downing said. It is anticipated that if the road is graveled so that it may be used, that through a traffic count the Oregon park and recreation division will keep the road maintained and perhaps improved as traffic increases.

It was reported that \$505 had been collected for 1957 membership dues.

Two guests were Karl Stoehr, Wilder, and Herman Koenig, the new owner of Wilson's Jewelry store.

Closing exercises begin for high school seniors

Baccalaureate exercises for the 1957 graduating class will be held Sunday, May 19, at the LDS church at 8pm.

The Rev. Willard Kennon of the Friends Community church will deliver the main address and Rev. Whitfield Smith, pastor of the Christian church, will give the invocation and benediction.

The processional and recessional, "Pomp and Circumstance," will be played by Mrs. Judy Phelps and Mrs. Ben Walker and musical selections from the chorus and girls' sextet will be sung.

James C. Hayes, Boise, will give the main address at commencement Wednesday, May 22, at the high school gymnasium at 8pm Supt. Charles Zollinger will give the welcome and present awards, and Allen George, chairman of the school board, will present the diplomas.

Speeches will be given by the valedictorian and salutatorian, Peggy Key and Jimmy Parker, and the chorus will present vocal selections. A solo will also be sung by Mary Jean Riese.

Homedale locals

Mr. and Mrs. F. E. Dazey attended the third district meeting of the American Legion and auxiliary at Weiser Sunday morning.

Ray Applegate underwent an operation on his hand Monday morning at the Caldwell hospital.

140 years ago

May 11, 1867

LETTER FROM JORDAN VALLEY. MAY 1ST, 1867
EDS. AVALANCHE: Having an hour of leisure, I venture to approach the "sanctum sanctorum" of your valuable paper with a communication concerning our Valley and its inhabitants.

OUR NAME. Among the political divisions of our County our Precinct is known as Pleasant Valley, which is fast falling into disuse, and the more popular one of Jordan Valley substituted. I think the innovation proper; not that it does not well merit the appellation of Pleasant, but because it is a just tribute to the memory of Michael Jordan, one of its brave discoverers, who was killed by Indians in the early part of the Summer of 1864, while energetically developing the country.

MEANING OF OREGON. As it has been demonstrated beyond a doubt that we are situated within the bounds of Oregon, a word with reference to the origin and signification of the name of the State may not be altogether our of place.

Oregon is neither more nor less than the Spanish Oreje, ear, with the final e elided, the augmentation on attached, and the j changed to g, as is frequently done in Spanish literature, so that Oregon simply signifies large or long ear. But I desire not, for a moment, to be understood to institute a comparison between Oregonians and those much abused quadrupeds, with one of the jawbones of which that second Hercules, Sampson, in a "rough and tumble fight," knocked down so many of those turbulent rowdies, the Philistines.

EXTENT, PRODUCTIONS, &C. Our Valley proper is about thirty miles in length, through the entire length of which meanders the beautiful River Jordan. The arable land is from one to two miles in width. Besides which there are many small valleys adjacent, which ere long will well repay a locator. The soil will produce in abundance nearly all the cereals and vegetables of a temperate climate. The inhabitants number some sixty or seventy, mostly engaged in ranching. They are very busy at present, digging ditches, erecting fences, plowing and sowing; so that taken all in all quite a degree of activity prevails in our little community. Besides agriculture, fewer countries present better inducements to the stock-raiser than this. Bunch grass grows in luxuriant abundance all over the foothills and surrounding mountains, while through nearly every gulch and ravine runs a stream of cool, sweet water the year round.

NEW HOTEL. Not among the least of our attractions here is the new and commodious Hotel, built and owned by Lockwood & Co. It is carried on at present by Mr. Yates and lady, formerly of Boise City, and who know how to attend to the wants of the traveling public who may favor them with a call.

PROCEEDING OF COUNTY COMMISSIONERS. Silver City, May 9th, 1867.

Full Board and Clerk present.

Resignation of O. H. Purdy, Esq., as Superintendent of Public Instruction tendered to the Board was accepted, and J. Walton Browne was appointed to fill the vacancy.

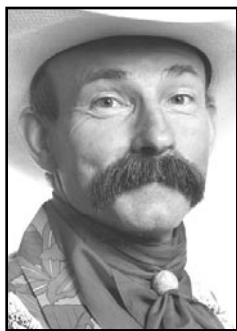
Additional bond of A. C. Springer, Sheriff, in the sum of \$30,000, with two good and sufficient sureties for the whole amount making the best bond ever presented in the County - was reluctantly approved and filed.

J. A. McQuaid and John Hallenbeck were appointed viewers to locate and take a road easterly from Morning Star Street, Silver City, between the houses of A. Owens and W. H. Wickersham, in accordance with petition on file.

The County Jail, in Silver City, being found inadequate as a place of secure confinement for all the prisoners now in custody, it was ordered that the Sheriff be authorized and required to remove and keep such prisoners as may be designated by the District Attorney in the building known as the County Jail in Ruby City; and that the building now occupied in Silver and the said building in Ruby be designated and known as the County Jails of Owyhee County until otherwise ordered by this Board.

Commentary

Baxter Black, DVM



On the edge of common sense

Ranch real estate

The ad read:

For sale: 30 acre ranchette with 2 wells, year-round creek, round pen, loading chute, run-in shelter, paddocks, corrals, grainery and poultry condo, a perfect place to watch people and critters grow and thrive in a Montana atmosphere!

Poultry condo? That would clinch it for me!

When the housing market declines, real estate agents resort to more diverse enticements to lure prospective buyers. The most stubborn example I can recall is an ad that I saw running in comic books, western magazines and pamphlets since my youth called the Deming ranchettes. Described in my memory as "A beautiful 4-acre piece of Heaven, in the shadow of rugged mountains with abundant wild life and exotic flora." These ranchettes were on the mesa and easily seen from the freeway and I have driven by them for over 40 years now. It is a fairly barren piece of scrub mesquite and greasewood. Ah, but the lure of the West.

I remember falling prey to the offer to buy one square foot of national forest. And the ad to have a star named after one of my dogs. Now there's a sun in some alien solar system out there named Hooter.

I read "Custom Home and Custom Features" in lots of real estate ads. Does that imply that when it breaks you can't find an easy replacement? Like bathroom fixtures made out of concrete or a unique bathtub that was once an old water heater cut lengthwise.

"A duck pond in the front yard!" How close is that to the septic tank? I'd like to do an E. coli count first.

"Mountain backdrops!" What part of Kansas is this?

"Close to metropolitan amenities!" The old hardware store is now a tanning salon and video rental, and don't forget the Lutefisk festival!

"Abundant open space!" How far is it from Ely?

"A diverse natural environment!" Below zero in winter, 100 degrees above in summer. Blizzards, floods, droughts and dust storms on a regular basis!

"A community dedicated to sharing its cultural values!" Yard sales every weekend during the summer.

"Eco-conscious construction!" AC/Heat, big windows, electronic entertainment room, massive all-electric kitchen, can sleep 40, with theater, four-car garage, large enough for RV and Hummer with automatic everything! But carbon offsets can be purchased from local ranchers who will ride their horse to work instead of drive!

Maybe a poultry condo isn't such a bad selling point after all. It could be sold as a timeshare to quail or pheasant. A place for them to chill out, drink latte and hang out by the pool 'til hunting season's over.

Wayne Cornell

Not important ... but possibly of interest

Monumental Munich

The tour bus drops us off in downtown Munich in mid-afternoon. Raymond will deliver our bags to the hotel and return for us later in the day.

Munich was founded in 1158. The city underwent urban renewal during World War II, courtesy of U.S. Army Air Corps and RAF bombers. The city was rebuilt along the old street pattern, so there still are lots of narrow bends and twists.

There are about 1.3 million people in Munich, and although major stores aren't open on Sunday, about half the population seems to be strolling around the Marienplatz, a large area in the center of the city where vehicles aren't allowed.

A small crowd gathers around a street musician who is squeezing the bejesus out of his accordion. Sara, my mate, who has considerable accordion background, tells us the guy isn't really that good. He's just athletic, theatrical and loud.

As the top of the hour approaches, we join several thousand locals and tourists in front of a huge, ornate building with a tall clock tower. I'm thinking it's another church, but it turns out to be the "New City Hall." It was built between 1867 and 1909 in Flanders Gothic style. I think a better term for the design would be "Nineteenth Century Gaudy." It reminds me of what might happen if you let a cuckoo maker design a building. As the clock strikes the hour, nearly life-size mechanical figures up in the tower recreate a medieval jousting tournament between knights, followed by mechanized people performing a dance that was originally done to celebrate the end of the Plague.

In the middle of the square in front of the New City Hall is a beautiful monument that has something to do with the Plague. The monument is surrounded with bronze baby angels dressed in armor, fighting dragons, lions and snakes that represent the Plague. It is one of the most striking pieces of statuary I will see on the trip.



The members of the tour fan out. Our Idaho delegation heads for the Hofbrauhaus am Platzl, supposedly one of the most famous beer halls in the world. It's a cozy little place where you could hold an intimate party for a couple of thousand of your closest friends.

We find a place to sit and some of us order beer, which arrives quickly in one-liter tankards. That's a lot of beer for someone who maybe drinks maybe two bottles a month. But it is very good beer.

The din in the beer hall is deafening, and a lot of the noise is coming from the table next to ours where about a dozen 20- and 30-something males are having a really good time. We guess they are members of some kind of weekend soccer or rugby team and are celebrating a victory or some member's birthday, or maybe just the fact that it's Sunday. In any case, they all are totally gassed, shouting toasts and singing songs in what seems to be several different languages. They don't cause us any trouble except for one small piece of bread that suddenly sails out of their area, hitting Judy, my sister-in-law, but doing no damage. Defending her honor would serve no useful purpose because all the soccer/rugby players are a lot younger than the three males in our group, and they all are so drunk you could smack 'em with a cricket bat and they wouldn't feel a thing.

As we stroll back through the Marienplatz to the bus pickup point I wish we could spend more time in Munich. The city's slogan is "Munich likes you," and it does seem like a very friendly place. But now it's off to the hotel for dinner, a few hours of sleep, then up early and back on the road.

Later we all speculate that in Munich our jet lag finally caught up with us as no one in our Idaho group can remember anything about the hotel. I don't think we stayed in the beer hall long enough for that to have been a factor.

From Washington

Honoring the Thin Blue Line's fallen

by Sen. Mike Crapo

On May 3, Caldwell lost one of its finest. The tragic loss of Stacey Heim, a promising young police officer and mother of two who had been with the Caldwell police department for seven years, comes at a time of year when our nation honors its law enforcement and remembers those who have given their lives protecting our communities and our families. We commemorate National Police Week through Saturday, remembering 145 officers who died in the line of duty across America in 2006.

Compared to the rest of the world, Americans have it pretty good. We go about our daily lives relatively free to do and say whatever we want. We can worship in freedom and peace, work to make better lives for our families, and spend leisure time uninhibited by fears that people in other countries face every day. We see it in other places — simply going to the market can be a deadly proposition.

The remarkable level of personal security and freedom we enjoy arguably has one downside-it can make us complacent. Just as we recognize our military's role in defending our freedom abroad, we offer our heartfelt gratitude to those who keep us safe here at home, the men and women working in law enforcement who safeguard our streets and who respond when we've been the victim

of accidents or crime, minor or life-threatening.

In 1962, President John F. Kennedy proclaimed the week of May 15 "National Police Week." For the past 45 years, we've honored those who selflessly constitute the "thin blue line" that protects law-abiding citizens from those who would do society harm. Sadly, law enforcement lives are sacrificed regularly in the course of their vigilant watch that keeps the United States a nation grounded in the rule of law.

In 2006, 145 law enforcement officers died as a result of injuries incurred in the line of duty. The youngest was an 18-year-old military police officer who died in an accident while she was on patrol at Edwards Air Force Base in California; the oldest was a 76-year-old lieutenant from the Los Angeles Police Department who died after eight years in a coma, caused when struck at 50 mph by a drunk driver. U.S. law enforcement officers lost their lives last year in vehicles and airplanes, on bicycles, in physical combat, by lethal weapon and during routine traffic stops.

Many Idaho law enforcement officers have died in the line of duty.

Names of more than 50 Idahoans are engraved on



Sen. Mike Crapo

Commentary

Accuracy In Media

Liberals seek to silence conservative views with legislation

by Cliff Kincaid

A recent airing of "60 Minutes" on CBS featured a story about CNN's Lou Dobbs that strangely included the comments of a monitor of "hate groups." The implication was that there might be something hateful about Dobbs' opposition to illegal immigration and open borders. Dobbs may not know it yet, but he is being set up as the next Don Imus.

While the story showed reporter Lesley Stahl exchanging pleasantries with Dobbs and interviewing him and his wife, the inclusion of Dobbs critic Mark Potok of the Southern Poverty Law Center was ominous. It is an indication that certain political views, mostly of a conservative nature, are being put into the same category as the Don Imus racist joke that got him fired from CBS Radio and MSNBC. The threat of political censorship in America has never been more real than it is today. And Dobbs isn't the only target.

Potok, "who monitors hate groups for the Southern Poverty Law Center," as Stahl put it, was presented as some kind of authority on what people can say — and how they should say it — on the air. It is shocking that a news broadcast like "60 Minutes" would play a role in an emerging campaign to criminalize and censor what other journalists say on the air. But liberals seem only to want free speech for themselves. Ironically, to her apparent dismay, Lesley Stahl reported at the end of the report that Dobbs had just been hired by CBS News as a television commentator for "The Early Show." She said she didn't know this when filming her piece on Dobbs. The use of Mark Potok on "60 Minutes" may have been a warning to Dobbs to tone down his anti-illegal immigration views.

Potok made the claim on "60 Minutes" that Dobbs was a fear monger and that, "The impression you get [from watching his CNN program,] pretty strongly I think, day after day, is that sort of all 11 million illegal aliens are bringing leprosy, they're bringing crime, they're bringing all these terrible things to the United States."

Potok said that Dobbs' comments give people "the go-ahead to say that, you know, 'These are a group of rapists and disease-carrying people who are coming to, you know, essentially destroy the culture of this country.'"

Stahl quibbled with Dobbs about a claim that immigrants were responsible for bringing leprosy into the U.S., but the issue wasn't really whether he got a fact right or wrong or even whether he was an "advocacy journalist." The clear implication was that Dobbs was somehow encouraging

hatred or violence against illegal aliens and was, therefore, guilty of "hate speech." Potok served no other purpose than to imply that Dobbs was a Don Imus-type character, not worthy of being given air time.

The "60 Minutes" piece, interestingly enough, aired just days after the so-called "hate crimes" bill passed the House of Representatives on May 3 by a vote of 237-180. This legislation attempts to criminalize what people think and say, rather than what they do. What's more, it helps lay the groundwork for a federal Fairness Doctrine to authorize bureaucrats to dictate what can and cannot be said on the air. Indeed, the "hate crimes" legislation, from the liberal point of view, may be a necessary precursor to bringing back the Fairness Doctrine.

The Southern Poverty Law Center, which supported the "hate crimes" bill, is so extreme that it lists the conservative Christian Traditional Values Coalition (TVC), a coalition of churches, on a map of "hate groups" because of its opposition to special rights for homosexuals. The TVC is listed on the same page with the Ku Klux Klan and the Nation of Islam.

Potok's latest hysterical article insists that "untold numbers of men and women may have to die" because of criticism of the homosexual lifestyle by conservative Christians, labeled "religious zealots" who employ "the language of hate" and are behind "hate motivated violence."

With this kind of incendiary rhetoric as a backdrop, and with "hate crimes" legislation in place, one can foresee the Federal Communications Commission (FCC), under President Hillary Clinton, deciding that "hate crimes" in real life are provoked by conservative hosts or guests on radio and TV. On that basis, therefore, the conservatives have to be taken off the air or else greatly restricted in what they are allowed to say. Don't forget that then-President Bill Clinton tried to blame "hate radio" for the Oklahoma City bombing.

Also remember that, before Imus was canned, a radical Muslim group, the Council on American-Islamic Relations (CAIR), forced the firing of Michael Graham at WMAL in Washington, D.C., after he described Islam as a violent-oriented religion. (Graham now broadcasts on Boston's WTKK-FM).

Other targets include Rush Limbaugh and Michael Savage. Limbaugh is under attack by Media Matters, the group that started the get-Imus campaign, for airing a Paul Shanklin routine making fun of Barack Obama and

Al Sharpton. The parody is called "Barack, the Magic Negro." The term, "Magic Negro," was borrowed from a Los Angeles Times article about blacks who appeal to whites.

Savage is being attacked for alleged racist, sexist, "homophobic" and anti-Muslim remarks. The campaign is spearheaded by San Francisco community activist, Steve Zeltzer, and a few of his friends, including somebody from "Banjos for Justice," who turned out for a puny demonstration to demand that the talk-show host be taken off the air. A short piece about the protest declared that Savage "needs his mouth washed out with soap and water and then run out of town."

An article about the demonstration was headlined, "First Imus, Now Savage?" and quoted Zeltzer as saying, "We support the First Amendment, but we don't support the public airways being used in this manner." He was identified as hosting his own cable access program.

This is interesting. He has his own show on a public access channel, probably paid for by the taxpayers or the cable company, and yet he wants Savage off the air. This is typical of the left-wing mindset. Zeltzer says that the stations carrying Savage should be "turned over to people in the community." By that, he presumably means himself and his friends.

One protester was quoted as saying, "I no longer go out at night. How dare they profit off of queer-bashing. Is this for real? I thought we had hate-crime laws in San Francisco."

This is an admission that "hate crimes" laws can be used to silence those on the air who have politically incorrect or non-liberal views. But if "hate crimes" laws will not suffice for the purpose of driving people like Savage "out of town," the liberals will use the Fairness Doctrine to mute or muzzle their political enemies. Even without these laws, the Imus affair shows how they are capable of ginning up propaganda to force somebody off the air.

But isn't it interesting that the backers of the "hate crimes" bill include all of the major sponsors of the legislation to bring back the Fairness Doctrine? Of course, a Democratic president would mean that a majority of FCC commissioners would be liberals predisposed to bring back the Fairness Doctrine. Three of those five FCC commissioners could do so on their own, even without a vote of Congress.

— Cliff Kincaid is editor of *Accuracy in Media*, and can be contacted at cliff.kincaid@aim.org.

√ Fallen: JFK set aside May 15 week to honor law enforcement officers

From Page 10B

the National Law Enforcement Officers Memorial in Washington, D.C. With dates of sacrifice spanning the better part of a century, these men and women represent every part of Idaho. Twelve counties and cities such as Pocatello, Idaho Falls, Nampa, Caldwell, Lewiston, Shelley, Wallace, Alameda Village, Downey, Emmett, Parma, Orofino, Osburn, New Plymouth and Boise have lost law enforcement officers in the line of duty.

State law enforcement agencies have a long history of bravery and sacrifice as well: officers from the Idaho State Police, Idaho Department of Corrections and the Idaho Department of Fish and Game made the ultimate sacrifice.

The Idaho Peace Officer's Memorial at Idaho State Police headquarters in Meridian (www.idahopeaceofficersmemorial.com) is closer than the memorial in Washington, D.C., and bears the names of 62 Idaho law enforcement

officers who gave their lives in service to Idaho families and communities.

Every day local, state and federal law enforcement officers risk life and limb for our personal safety and security. Remember to commend an officer and his or her family for their bravery and commitment. We have much to thank them for.

— Mike Crapo is a Republican U.S. senator from Idaho.

The Owyhee Avalanche
Owyhee County's best source for local news!!

Public notices

OWYHEE COUNTY COMMISSIONERS MINUTES APRIL 23, 2007 OWYHEE COUNTY COURTHOUSE MURPHY, IDAHO

Present were Commissioner's Freund, Tolmie, and Hoagland, Clerk Sherburn, Treasurer Richards, Sheriff Aman, Assessor Endicott, Prosecuting Attorney Faulks, Jim Desmond, and Fred and Stacy Grant.

The Board amended the agenda to include the following items: Indigent & Charity, Liquor License, Storage units, Water View Estates Plat, Memorandum of Decision, and Job Description for 911 Coordinator.

The Board approved a \$500 contribution to Sage Community Resources to help fund an economic developer.

The Board approved a letter to go to the potential All-Hazards Committee members.

The Board called an executive session on a litigation issue.

The Board met with the Hyslop's to discuss the grant from the State EMS Bureau to fund a 4 wheel drive vehicle for use by Silver City Fire and Rescue. A decision will be made at the May 7th meeting.

Jens Schkade with Rally drift presented the Safety Operations Manual for the Road Rally

The Board approved the final draft.

The Board approved a MOU with Three Creek Good Road District regarding RS 2477 Roads.

The Board approved the request by Sheriff Aman to install storage units at a cost of \$18,000.

The Board approved a Memorandum of Decision to refund the appeal fee for the Conditional Use Permit denial, to Anthony Welton.

The Board took the following action on Indigent and Charity cases presented:

No. 04-58 assignment to Catastrophic approved.

No. 07-18 a lien was approved.

No. 07-13 the applicant was approved for payment

The Board approved beer and wine licenses for Hometown Grocery, Gus's Gas, and Paul's Market.

The Board approved the final plat on Water View Estates requested by Chris Todd.

The Board approved a pay authorization for Sheriff's employee David Reed at a 6B on the pay scale.

The Board approved a pay authorization for Treasurer's employee Annette Dygert at a 7B on the pay scale.

The Board asked the Assessor to resubmit the job description for the 911 Coordinator.

The complete minutes can be viewed in the Clerk's office.

s/ Richard Freund
Attest: s/Charlotte Sherburn
5/16/07

ORDER SUMMONING AND CONVENING A GRAND JURY CASE NO. 2007-1 IN THE DISTRICT COURT OF THE THIRD JUDICIAL DISTRICT OF STATE OF IDAHO, IN AND FOR THE COUNTY OF OWYHEE

IN THE MATTER OF PETITIONING THE DISTRICT COURT TO CONVE NE A GRAND JURY IN OWYHEE COUNTY, IDAHO.

The Prosecuting Attorney of Owyhee County, Idaho, has petitioned this Court for an order, ordering that a grand jury be summoned and convened in Owyhee County. After careful review of the Petition and the Idaho statutes and rules regarding grand jury proceedings, and for good cause, the Court finds that the public interest of Owyhee County requires that a grand jury be summoned to inquire into public offenses committed or triable within Owyhee County for the reasons set forth in the Petition filed by the Owyhee County Prosecuting Attorney.

IT IS HEREBY ORDERED that a grand jury be summoned and convened in Owyhee County, Idaho, on the 22nd day of May, 2007, at the hour of 9:00 A.M., to commence inquiry into the matter of public offenses committed or triable within Owyhee County. The Court finds that the public interest requires this order.

IT IS FURTHER ORDERED that the Jury Commissioner shall summon forty (40) legally qualified jurors to appear at the Owyhee County Courthouse, on the 22nd day of May 2007 at the hour of 9:00 A.M., and that from those forty (40) persons, a grand jury of sixteen (16) persons shall be selected;

IT IS FURTHER ORDERED that the Prosecuting Attorney of Owyhee County shall attend the District Court on the 22nd day of May 2007, at the hour of 9:00 A.M., and then he shall attend all sessions of the grand jury offering advice, information, and assistance to the grand jury pursuant to Idaho statutes and Idaho Criminal Rule 6 (d);

IT IS FURTHER ORDERED that the Prosecuting Attorney of Owyhee County shall cooperate with and assist the Court in securing a room and facilities for use by the grand jury as required by Idaho statutes and Idaho Criminal Rule 6 (e);

IT IS FURTHER ORDERED that once selected and convened, the grand jury shall serve until discharged by the Court, and during its term shall meet from time to time as necessary to conduct its business;

IT IS FURTHER ORDERED that this Order shall be filed with the Clerk of this Court and that said Clerk shall post a copy of this Order at the locations where court schedules are posted, on the general bulletin board where public notices are posted in the Courthouse, at the location where public notices are posted at the office of the Owyhee County Board of Commissioners, and shall furnish a copy of this Order to the newspaper which has been designated by the Owyhee County Board of Commissioners for publication of legal notices. Said copy shall be posted and provided to the designated newspaper no later than forty-eight (48) hours prior to the convening of the grand jury.

IT IS FURTHER ORDERED that the Clerk of this Court shall designate a deputy clerk and a substitute deputy clerk who will be made available to process records and documents pertaining to the activities of the grand jury in such a manner that the secrecy requirements of the law as well as all other provisions of Idaho statutes and Idaho Criminal Rule 6 regarding grand jury proceedings will be satisfied.

DATED this 3rd day of May 2007.
/s/Gregory M. Culet, District

Judge
Matthew W. Faulks
Owyhee County Prosecuting Attorney
Owyhee County Courthouse
P.O. Box 128
Murphy, ID 83650
Phone 208-495-1153
Fax 208-495-2592
5/16/07

BEFORE THE OWYHEE COUNTY PLANNING & ZONING COMMISSION

On May 31st 2007 beginning at 11:00 AM the Owyhee County Planning and Zoning Commission will hear testimony in courtroom #2, Owyhee County Courthouse in Murphy, Idaho on the following matter at the time listed below. When the hearing is finished the Commission will take up administrative matters:

Scott Grinstead filed an application requesting a conditional use permit to subdivide a 24 acre parcel into four single family residential lots. Subject property is located in an Agricultural Zone South of Marsing off highway 78 and Pershall Road in Section 9, Township 2 North, Range 4 West, Boise Meridian, Owyhee County, Idaho.
5/16/07

NOTICE OF PENDING ISSUE OF TAX DEED

YOU ARE HEREBY NOTIFIED, AS FOLLOWS: That a delinquent entry was entered as of January 1, 2004, in the records of the County Treasurer as Tax Collector of Owyhee County, State of Idaho, for the following properties:

Parcel RP009200010020A
Citi Financial
1111 Northpoint Dr.
Coppell, TX 75019
Property known as Lot 2, Block 1

Canyon Estates Subdivision
Section 5, Township 2 North, Range 5 West, Owyhee County, Idaho

Tax 159.74
Late Charge 3.20
Interest 48.32
Costs 100.00
TOTAL 311.26

Parcel RP009200010040A
Citi Financial
1111 Northpoint Dr.
Coppell, TX 75019
Property known as Lot 4, Block 1

Canyon Estates Subdivision
Section 5, Township 2 North, Range 5
West, Owyhee County, Idaho

Tax 317.52
Late Charge 6.36
Interest 96.04
Costs 100.00
TOTAL 519.92

Parcel RP009200010050A
Citi Financial
1111 Northpoint Dr.
Coppell, TX 75019
Property known as Lot 5, Block 1

Canyon Estates Subdivision
Section 5, Township 2 North, Range 5
West, Owyhee County, Idaho

Tax 153.78
Late Charge 3.08
Interest 46.52
Cost 100.00
TOTAL 303.38

Parcel RPB05200020060A
Duane G & Deborah K Kenny
101 S 13th Ave. W
Marsing, ID 83639
Property known as Lot 6, Block 2

Ashe Addition
Section 4, Township 2 North, Range 4 West, City of Marsing,

LEGAL NOTICE

SOUTHWEST DISTRICT HEALTH PURSUANT TO IDAHO CODE §39-423

PUBLIC HEARING: Residents of Adams, Canyon, Gem, Owyhee, Payette, and Washington Counties are invited to comment on the proposed county contributions to the Southwest District Health Fiscal Year 2008 budget. Such hearing will be held on Tuesday, May 22, 2007, 11:00 a.m. at Southwest District Health, 920 Main, Room 206, Caldwell, Idaho.

At the conclusion of this hearing, the estimated cost to each county for FY2008 will be submitted to the Budget Committee by the District Board and approval of a final budget of county funds will be requested, as determined by the provisions of §39-424, Idaho Code.

BUDGET COMMITTEE: The Southwest District Board of Health and Budget Committee will meet in open public forum on Tuesday, May 22, 2007, at 11:30 a.m. (or directly following the Public Hearing) at Southwest District Health, 920 Main, Caldwell, Idaho, for the purpose of finalizing the budget of county funds for Southwest District Health's Fiscal Year 2008 budget.

The following tables set forth the amounts of county funds to be appropriated and contributed by each county within the boundaries of said district, and the amounts expended for "salaries & wages, and other expenses," during each of the three previous county fiscal years by said department.

AMOUNT TO BE APPROPRIATED BY COUNTY, FY 2008

	Adams	Canyon	Gem	Owyhee	Payette	Washington	Total	FY2005 Budget	FY2006 Budget	FY2007 Budget	FY2008 Budget
	\$ 26,683	774,875	75,946	50,240	97,366	49,091	\$ 1,074,201	737,286	759,403	782,185	805,651
Salaries & Wages								245,762	253,135	260,729	268,550
Other Expenses											
Total	\$ 983,048	\$1,012,538	\$1,042,914	\$1,074,201							

The proposed budget offered by the District Board of Health may be examined at any of the Southwest District Health offices located at: 920 Main Street, Caldwell; 824 S. Diamond, Nampa; 1008 East Locust, Emmett; 1155 Third Avenue North, Payette; 46 West Court, Weiser; or 24 West Idaho, Homedale.
5/16/07

Owyhee County, Idaho
Tax 73.70
Late Charge 1.48
Interest 22.30
Cost 100.00
TOTAL 197.48

YOU ARE FURTHER NOTIFIED,

that if said delinquent entry is not redeemed on or before June 28, 2007, by payment of said unpaid taxes together with late charge, interest and all unpaid costs and expenses up to the date of said payment at my office as Tax Collector, Owyhee County Courthouse, Murphy, Idaho, I shall thereupon, as required by law, make application to the Board of County Commissioners of Owyhee County, State of Idaho, for a hearing to be held on **July 2, 2007, at 10:00 AM**, or as soon thereafter as said application can be heard at the **Owyhee County Courthouse, Murphy, Idaho** for tax deed conveying the above described property to said **OWYHEE COUNTY**, State of Idaho, absolute title, free of all encumbrances, except any lien for taxes which may have attached subsequently to the assessment hereinabove referred to. **YOU ARE FURTHER NOTIFIED**, that the record owner or owners or any party in interest as defined by Section 63-1005, Idaho Code, may appear in person or by counsel, and if appearing, shall have adequate opportunity to be heard for the purpose of protesting the procedures used in taking this tax deed. **NO OTHER TYPE OF PROTEST WILL BE HEARD. YOU ARE FURTHER NOTIFIED**, that inquires and objections concerning this notice or the information contained therein shall be directed to the **OWYHEE COUNTY TREASURER** at 20381 State Highway 78, Courthouse, Murphy, ID 83650; or by calling (208) 495-1158 no later than 5 (five) working days before the hearing date. Dated this 6th day of April, 2007.
Brenda Richards

COUNTY TREASURER and EX-OFFICIO TAX COLLECTOR FOR OWYHEE COUNTY, IDAHO
5/2,9,16,23/07

NOTICE OF FEE INCREASE & NEW FEES

The Bruneau-Grand View School District No. 365, Elmore and Owyhee Counties has proposed a sports admission increase in adult yearly passes from \$50 to \$75 and family yearly passes from \$80 to \$150. New fees include \$10 for Honor Society and \$20 for Skills USA. Other student fees will remain the same as last year.

All patrons are invited to attend a public hearing on the fee proposal. The hearing will be held on Thursday, May 17, 2007 at 7 p.m. at Rimrock Jr.-Sr. High School.
5/9,16/07

Rubber Stamps

Made to order

The Owyhee Avalanche

337-4681

Public notices

NOTICE

The Southwest District Board of Health will hold a **Board Meeting** on Tuesday, May 22, 2007 from 9:00 a.m. to 11:00 a.m. at Southwest District Health, Room 206, 920 Main Street, Caldwell, Idaho. This meeting will **precede** the Public Hearing scheduled for May 22, 2007, 11:00 a.m., same location for comment on the FY2008 Budget. The Budget Committee meeting will immediately follow.

5/16/07

**NOTICE OF HEARING
CASE NO. CV-07-0152
IN THE DISTRICT COURT
FOR THE THIRD JUDICIAL
DISTRICT OF
THE STATE OF IDAHO AND
IN FOR THE COUNTY OF
OWYHEE**

IN RE: Isiah Alonzo Alcaraz and Isaac Zachariah Alcaraz

A Petition by Kayla M. Prado for Isiah Alonzo Alcaraz born 6/3/02 in Hermiston, OR and Isaac Zachariah Alcaraz born on 4/14/03 in Richland, WA now residing at PO Box 14, Marsing, ID, proposing a change in name to Isiah Jeremiah Prado and Isaac Zachariah Prado has been filed in the above entitled court, the reason for this change in name being parental rights of father have been legally terminated.

The petitioner's father is living.

Such petition will be heard at 10:30 o'clock a.m. on June 11, 2007, in courtroom number 1 at the Owyhee County Courthouse in Murphy. Objections may be filed by any person who can, in such objections, show to the court a good reason against such a change of name.

WITNESS my hand and seal of said District Court this 12th day of April, 2007.

By Charlotte Sherburn, Clerk
By Lena Johnson, Deputy Court Clerk
4/25:5/2,9,16/07

NOTICE OF TRUSTEE'S SALE

On Friday, 06/29/2007, at the hour of 10:30am, of said day, at the office of at the entrance to Owyhee County Courthouse located at 20381 State Highway 78, Murphy, Idaho, Owyhee County, Idaho, PIONEER LENDER TRUSTEE SERVICES, LLC on behalf of PIONEER TITLE COMPANY OF CANYON COUNTY, as Trustee; will sell at public auction, to the highest bidder, for cash in lawful money of the United States of America, all payable at the time of sale, the following described real property, situated in Owyhee County, Idaho, and described as follows, to-wit:

All of Lot 14 and the West 25 feet of Lot 15 of Block 54 of the Amended Plat of the City

of Homedale, Owyhee County, Idaho.

For purposes of compliance with Idaho Code 60-113, the Trustee has been informed that the address of 112 W. Oregon, Homedale ID 83628 may sometimes be associated with said real property.

Said sale will be made without covenant or warranty regarding title, possession or encumbrances to satisfy the obligation secured by and pursuant to the power of sale conferred in the Deed of Trust executed by Ira Jacob Dyas, an unmarried man and Rosanna Lee Carmona, an unmarried woman to PIONEER TITLE COMPANY OF CANYON COUNTY, as Trustee, for the benefit and security of John A. Miller and Grace K. Miller, husband and wife as Beneficiaries; said Deed of Trust having been recorded on 01/22/2007 as Instrument No. 255668, records of Owyhee County, Idaho. *The above Grantors are named to comply with Idaho Code Section 45-1506 (4) (a). No representation is made that they are or are not presently responsible for this obligation.*

The default for which this sale is to be made is the failure of the Grantors to: make monthly installments as set forth on the Deed of Trust Note secured by said Deed of Trust. The original loan amount was \$35,000.00 with interest thereon at the rate of 10.00% per annum as evidenced by the note dated 03/01/2006. The monthly installment in the amount of \$ 438.20 is due for 12/01/2006 and on the 1st day of each and every month thereafter until such default is cured and until 04/01/2017, at which date the entire remaining principal balance and accrued interest are due and payable in full. All amounts are now due and payable along with all costs and fees associated with this foreclosure, including, but not limited to, attorney fees, trustee costs and fees, fire insurance and county property taxes, together with any and all assessments, penalties and interest; for the purpose of protecting the beneficial interest of the Beneficiaries. The principal balance is \$33,889.66 plus accruing interest, costs and fees.

Dated January 16, 2007
PIONEER TITLE COMPANY OF CANYON COUNTY, AS TRUSTEE
BY: PIONEER LENDER TRUSTEE SERVICES, LLC
IT AGENT,
MARK L. YERMASEK-MORGER
VICE PRESIDENT
5/9,16,23,30/07

NOTICE OF TRUSTEE'S SALE

Notice of Trustee's Sale Idaho Code 45-1506 Today's date: May

7, 2007 File No.: 7104.26697
Sale date and time (local time): September 06, 2007 at 11:00 AM
Sale location: in the lobby of the Owyhee County Courthouse, 20381 State Highway 78, Murphy, Idaho 83650 Property address: 29396 STATE HIGHWAY 51 BRUNEAU, ID 83604
Successor Trustee: Northwest Trustee Services, Inc., an Idaho Corporation P.O. Box 997 Bellevue, WA 98009 (425) 586-1900 Deed of Trust information
Original grantor: Regina May Roscoe and Bradley Steven Roscoe, wife and husband as joint tenants
Original trustee: Guaranty Title, Inc. Original beneficiary: Mortgage Electronic Registration Systems, Inc., solely as nominee for First NLC Financial Services, LLC Recording date: August 4, 2005 Recorder's instrument number: 252862 County: Owyhee Sum owing on the obligation: as of May 7, 2007: \$154,573.21 Because of interest, late charges, and other charges that may vary from day to day, the amount due on the day you pay may be greater. Hence, if you pay the amount shown above, an adjustment may be necessary after we receive your check. For further information write or call the Successor Trustee at the address or telephone number provided above. Basis of default: failure to make payments when due. Please take notice that the Successor Trustee will sell at public auction to the highest bidder for certified funds or equivalent the property described above. The property address is identified to comply with IC 60-113 but is not warranted to be correct. The property's legal description is: In Township 6 South, Range 5 East, Boise Meridian, Owyhee County, Idaho. Section 33: A parcel lying in the Northeast Quarter of the Northeast Quarter described as follows: Commencing at the Northeast corner of the Northeast Quarter, Section 33, Township 6 South, Range 5 East, Boise Meridian, Owyhee County, Idaho; thence running South a distance of 1050 feet; thence running Northwesterly a distance of approximately 960 feet to a point on the Southeasterly line of the State Highway 51, said point also being Southwesterly 875 feet from the Point of Beginning; thence running Northeasterly along the Southeasterly line of State Highway 51, a distance of 875 feet to the Point of Beginning. The sale is subject to conditions, rules and procedures as described at the sale and which can be reviewed at www.northwesttrustee.com or USA-Foreclosure.com. The sale is made without representation, warranty or covenant of any kind. (TS# 7104.26697) 1002.71257-FEI
5/16,23,30;6/6/07

NOTICE OF TRUSTEE'S SALE

**T.S. No.: HC-103192-C
Loan No.: 0435477336
A.P.N.: RP03N05W097000A**

NOTICE IS HEREBY GIVEN that, FIRST AMERICAN TITLE INSURANCE COMPANY the duly appointed Successor Trustee, will on 7/27/2007 at 11:00 AM (recognized local time), On the steps of the Owyhee County Courthouse located on the corner of Highway 78 and Hailey Street, Murphy, ID, will sell at public auction, to the highest bidder, for cash, in lawful money of the United States, all payable at the time of sale, the following described real property and personal property, situated in the County of Owyhee, State of Idaho, and described as follows: Parcel I: A portion of the Southeast Quarter Southwest Quarter of Section 9, Township 3 North, Range 5 West of the Boise Meridian, Owyhee County, Idaho, and is more particularly described as follows: Commencing at the Southeast corner of said Southeast Quarter Southwest Quarter; thence North 89°16'11" West along the South boundary of said Southeast Quarter Southwest Quarter a distance of 60.01 feet to the True Point of Beginning; thence continuing North 89°16'11" West along said South boundary a distance of 602.12 feet; thence North 00°17'29" East a distance of 355.38 feet; thence South 59°03'30" East a distance of 536.77 feet; thence South 65°36'33" East a distance of 39.44 feet; thence South 76°26'47" East a distance of 53.04 feet; thence South 69°20'07" East a distance of 45.58 feet; thence South 69°20'00" East a distance of 10.60 feet; thence South 00°15'38" West parallel with the East boundary of said Southeast Quarter Southwest Quarter a distance of 38.51 feet to the True Point of Beginning. Parcel II: A 21.00 foot wide ingress-egress easement, more particularly described as follows: Commencing at the Southeast corner of said Southeast Quarter Southwest Quarter; thence North 89°16'11" West along the South boundary of said Southeast Quarter Southwest Quarter a distance of 662.10 feet to the True Point of Beginning; thence continuing North 89°16'11" West a distance of 21.00 feet; thence North 00°30'38" East a distance of 355.37 feet; thence South 89°16'11" East parallel with the South boundary of said southeast Quarter Southwest Quarter a distance of 21.00 feet; thence South 00°30'38" West a distance of 355.37 feet to the True Point of Beginning. The Trustee has no knowledge of a more particular description

of the above referenced real property, but for purposes of compliance with Section 60-113 Idaho Code, the Trustee has been informed that the address sometimes associated with said real property is: Route 1 Box 1086 Pioneer Road Homedale, ID 83628 Said sale will be made without covenant or warranty regarding title, possession or encumbrances to satisfy the obligation secured by and pursuant to the power of sale conferred in the Deed of Trust executed by: ROBA D. VAUGHAN, A MARRIED MAN AS HIS SOLE AND SEPARATE PROPERTY, as grantors, to ALLIANCE TITLE & ESCROW CORPORATION, as Trustee, for the benefit and security of "MERS" MORTGAGE ELECTRONIC REGISTRATION SYSTEMS, INC., SOLELY AS NOMINEE FOR LENDER MERITAGE MORTGAGE CORPORATION, as Beneficiary, dated 2/14/2003, recorded 2/25/2003, as Instrument No. 242610, records of Owyhee County, Idaho, the beneficial interest in which is presently held by MORTGAGE ELECTRONIC REGISTRATION SYSTEM, INC. . THE ABOVE GRANTORS ARE NAMED TO COMPLY WITH SECTION 45-1506(4)(A), IDAHO CODE. NO REPRESENTATION IS MADE THAT THEY ARE, OR ARE NOT, PRESENTLY RESPONSIBLE FOR THIS OBLIGATION. The Default for which this sale is to be made is the failure to pay when due, under Deed of Trust and Note dated 2/14/2003. The monthly payments for Principal, Interest and Impounds (if applicable) of, due per month from 11/1/2006 through 7/27/2007, and all subsequent payments until the date of sale or reinstatement. The principal balance owing as of this date on the obligation secured by said Deed of Trust is \$115,669.04, plus accrued interest at the rate of % per annum from 10/1/2006. All delinquent amounts are now due, together with accruing late charges, and interest, unpaid and accruing taxes, assessments, trustee's fees, attorney's fees, and any amounts advanced to protect the security associated with this foreclosure. The Beneficiary elects to sell or cause the trust property to be sold to satisfy said obligation. Dated: March 27, 2007 FIRST AMERICAN TITLE INSURANCE COMPANY, authorized signatory c/o EXECUTIVE TRUSTEE SERVICES, LLC 15455 San Fernando Mission Blvd. #208 Mission Hills, CA 91345 Phone: (818) 837-2300 Sale Line: (714) 259-7850 ASAP# 838488
5/16,23,30;6/6/07



Owyhee County Church Directory



<p>Snake River Valley Fellowship Wilder/Homedale 16613 Garnet Road Sunday 10 am Worship Thursday 7 pm Worship 475-3733 or 880-8962 Pastor Robert Cooperstein</p>	<p>Knight Community Church Grand View Pastor Paul H. Ryan • 834-2639 Sunday School 9:30 a.m. Worship Service 10:45 a.m. Adult Bible Study: Wednesday, 7 p.m. Knight's Neighborhood: (Youth Activity Group) Friday 5-6:30 pm</p>	<p>Crossroads Assembly of God Wilder Hwy 19 & 95, 482-7644 Sunday School 10am Sunday Morning Worship 11am Sunday Evening Worship 6pm Wed. Bible Study 7pm</p>
<p>Assembly of God Church Homedale 15 West Montana, 337-4458 Pastor George Greenwood Sunday School 9:30am Sunday Morning Worship 10:30am Sunday Evening Service 6:00pm Wed. Bible Study 7:00pm</p>	<p>Friends Community Church Wilder - Homedale 17434 Hwy 95, 337-3464 Pastor: John Beck Worship Services: 10:45 am Sundays Sunday School: 9:30 am Wednesday Prayer Meeting 6:30 pm CLC - Wednesdays at 3:15</p>	<p>Our Lady of the Valley Catholic Church 1122 W. Linden St., Caldwell 459-3653 Mass: Saturday 5:00 pm Sunday 9:30 am Spanish Mass: Saturday 7:00 pm Spanish Mass: Sunday Noon</p>
<p>Mt. Calvary Lutheran Homedale 337-4248 or 454-1528 SE corner Idaho and West 7th Sunday School: 9:00 to 9:45 am Services: 10:00 am Wednesday Night Adult Bible Study: 7 to 8:30 pm</p>	<p>Chapel of Hope Hope House, Marsing Look for the Blue Church South Bruneau Hwy at the Hope House Welcoming Families, especially those with special needs children. Keith Croft, Pastor 880-2767 Jake & Alisha Henriouille, Youth Pastors 761-6747 Sunday Services at 10 am</p>	<p>Church of Jesus Christ of Latter Day Saints Homedale 708 West Idaho Ave 337-4112 Bishop Alan McRae Bishop Dwayne Fisher Sunday 1st Ward 9am Sunday 2nd Ward 12:30pm</p>
<p>Homedale Baptist Church Homedale 212 S. 1st W. Sunday School 10am & 11am Sunday Evening 7pm Wednesday Evening 7pm Pastor James Huls</p>	<p>Wilder Church of God Wilder 205 A St. E., 482-7839 Pastor Ray Gerthung Sunday School 9:45am Sunday Service 11am Sunday Eve. 6:00pm Wed. Eve. 7:00pm</p>	<p>Mountain View Church of the Nazarene 26515 Ustick Road, Wilder 337-3151 Sunday School 9:30 Worship 10:30 Adult & Youth Bible Class: Wednesday 7:00 pm Bible Based Recovery: Friday 7:00 pm</p>
<p> MARSING APOSTOLIC ASSEMBLY Asamblea Apostolica de Marsing 221 W. Main • Marsing, Idaho Pastor Ricardo Rodriguez 896-5552 or 371-3516 Sunday School 1:30 pm • Sunday Service 3 pm Thursday Service 7 pm • (Bilingual Services/Espanol)</p>	<p>Iglesia Evangelica Wilder 317 3rd st., Pastor Ramiro Reyes 10 am Sunday School 11 am Service 482-7484 Bilingual</p>	<p>Marsing Church of Christ Marsing 932 Franklin, Marsing Minister Gib Nelson Sunday Bible Study 10am Sunday Worship 11am</p>
<p>Christian Church Homedale 110 W. Montana, 337-3626 Pastor Maurice Jones Sunday Morning Worship 11am Church school 9:45</p>	<p>Bible Missionary Church Homedale West Idaho, 337-4437 Pastor Paul Miller Sunday School 10am Worship 11am Sunday Evening 7pm Wednesday Evening 7:30</p>	<p>Assembly of God Church Marsing 139 Kerry, 896-4294 Pastor Rick Sherrow Sunday School 10am Sunday Worship 11am & 6 pm</p>
<p>Lizard Butte Baptist Church Marsing Pastor London 116 4th Ave. W., 859-2059 Sunday worship 11am-12pm Sunday school 10 am-10:55am Sunday evening 7pm-8pm Wednesday evening 7pm-8pm Every 3rd Sat. family video at 6 pm</p>	<p>Nazarene Church Marsing Pastor Bill O'Connor 896-4184 12 2nd Avenue West Worship Services - Sunday 11am and 6pm Teen Services Sundays 7:00 pm Sunday School - 9:45am Mid Week TLC Groups</p>	<p>Trinity Holiness Church Homedale 119 N. Main Pastor Samuel Page 337-5021 Sunday School 10am Sunday Morning Worship 11am Sunday Evening 7pm Thursday Evening 7:30pm</p>
<p>Church of Jesus Christ of Latter Day Saints Marsing 215 3rd Ave. West, 896-4151 Bishop Streibel Sunday 1st Ward 9am Sunday 2nd Ward 12:30pm Primary 11am</p>	<p>Vision Community Church Marsing 221 West Main Marsing, Idaho 208-896-5407 Sunday School 9:30 a.m. Sunday Service 10:30 a.m. Adult, Kids & Youth Meetings Wed. 7:00 p.m.</p>	<p>United Methodist Church Wilder Corner of 4th St. & B Ave. 880-8751 Pastor Carolyn Bowers Sunday Services 9:30am</p>
<p>First Presbyterian Church Homedale 320 N. 6th W., 337-3060 Pastor Marianne Paul Sunday Morning Worship 11am Sunday School 11am</p>	<p>Calvary Holiness Church Wilder Corner of 3rd St. & B Ave., • 761-7843 Pastor Matthew Hunt Sunday School: 10:00 a.m. Sunday Morning Worship: 11:00 a.m. Sunday Evening: 6:00 p.m. Wednesday Evening: 7:00 p.m. Food Pantry Open Fridays 10 am - Noon</p>	<p>Seventh Day Adventist Homedale 16613 Garnet Rd., 880-0902 or 453-9289 Pastor Chuck Dimick Sabbath School Sat. 9:30am Worship 11am Tuesday Prayer Mtg. 7:00 pm</p>
<p>Iglesia Bautista Palabra de Esperanza Homedale 711 W. Idaho, 463-9569 Pastor Jose Diaz Servicios: Los Domingos 11:00 am</p>	<p>Our Lady Queen of Heaven Catholic Church - Oreana 2007 Mass Schedule - the following Saturdays at 9:30am Jan. 27 - Feb. 17 - March 10 - April 28 May 12 - June 9 - July 21 - Aug. 11 Sept. 8 - Oct. 13 - Nov. 24 - Dec. 22 For more information, call St. Paul's Church, Nampa 466-7031</p>	<p>Amistad Cristiana de Wilder UMC Esquina de 4 y calle B Domingos Servicio: 12:00 pm Miercoles: 4:30 pm Banco de Ropa Martes y Jueves: 6:30 pm Ingles Sabados: 12:00 pm Arte Infantil Todo en Espanol, Inf. 989 7508</p>

HELP WANTED

Marsing Resource Center is accepting applications for a part-time coordinator. Call 896-5185
4-H Intern. The Owyhee County Extension Office is seeking a college student or high school senior to serve as a summer intern. Position will consist of assisting with and conducting summer 4-H programs and/or camps and the Owyhee County Fair. Applications can be picked up at the Extension office in Marsing or by calling 896-4104. Application deadline is May 25, 2007.

Owyhee Publishing Co. is now accepting applications for a part time position in bindery department, some lifting required. Please apply in person, 19 East Idaho, Homedale.

Applications are being accepted by Marsing-Homedale Cemetery Maintenance District for a sexton employee to train under the existing sexton, until 1/7/08. Must have computer skills. Based on probationary period part-time person with board approval will become permanent sexton on 1/7/08. Applications need to be submitted by June 1, 2007. Applications are available at Marsing-Homedale Cemetery office from 8am-4:30pm or call 896-4226 ask for Rick. Applications can be dropped off at Marsing-Homedale Cemetery 4410 Cemetery Rd. or mail to PO Box 452, Marsing, ID 83639

HELP WANTED

Calf feeder wanted. Mornings & late afternoons. Female preferred. Owyhee Dairy 337-4226

Driver CDL Training: \$0 Down/No Worry Financing! Experienced or not – Career you deserve is @Central Refrigerated 800-521-9277

Get paid while training! Limited income, 55 years or older. Contact Marsing Resource Center, 110 2nd Ave. W, Marsing 896-5185

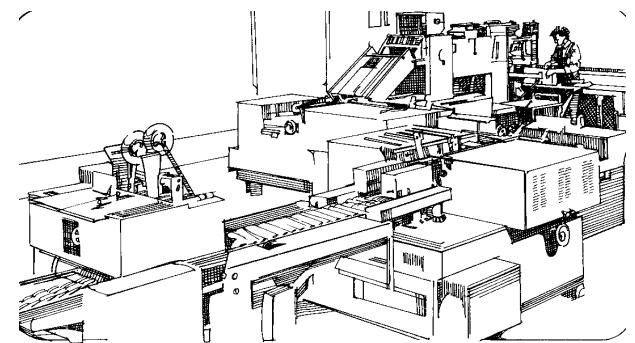
Full time custodian. Must be 18 yrs. old and be able to lift 75 pounds. \$7.75/hr. Apply at Homedale School District office, 116 E Owyhee, Homedale or call 337-4611 for application. Closing date: 5/18/07 or until filled. EOE.

Concrete Finishers, exp'd in curb & gutter, good pay. Call Luke 208-412-8880 EOE

BARTENDERS NEEDED

Looking for a fun job?
We are looking for a few friendly people.
Experience a plus,
but not necessary.
Call 208-337-3414

WE MAKE A GREAT IMPRESSION



You'll be impressed by the quality of our work and our personalized service

We're a multi-faceted print shop providing complete services from graphic design and typesetting through printing and binding, so no part of your job ever leaves our hands.

We offer consistent results at competitive prices.

337-4866

All types of web and commercial printing

Owyhee Publishing

P.O. BOX 217 HOMEDALE, ID 83628



REAL ESTATE
Price drastically reduced! 4 bdrm home in country. Great for the horse lover. \$235,000. Dee Wilson 880-5405
14 1-2.5 acre lots. Subdivision in Wilder. Paved roads. Pressurized irrigation. Three-rail vinyl fence. Lots go on sale in May. Dee Wilson 880-5405

FARM & RANCH
Custom Swathing & Baling, newer equipment. 896-4956 or 880-5384
Alfalfa & Hybrid corn seed, top generic alfalfa \$1.89 lb. (Wow) corn \$59, Roundup Ready \$89. Many grasses we deliver. 208-465-5280 or 800-910-4101
Horse training – colt starting, tune-ups, trail riding. Lessons available. Boarding with access to Owyhee BLM. 4-H discounts! 989-9054 or 989-0884

Homedale Feedlot/Ranch: 249+/- ac with 950 head CAFO feedlot. Home/outbuildings/horse facilities. \$1,350,000 PRICE REDUCED: \$1,150,000
Opaline Ranchette: 43+/- ac. Irrigation, home, garage & shop. Great for a horse/cattle ranch. South of Marsing. \$400,000 PRICE REDUCED: \$350,000

 for additional properties
 www.knipeland.com
 CALL: 208/345-3163

FOR RENT
Apartment for rent. 2 bdrm 1 bth, utilities included \$525 Carolyn 337-4029
Mobile home in Marsing 3 bdrm 2 bth \$600 mo. \$600 dep. Screening fee required. 896-5803
Boat & RV Storage, Marsing Storage 867-2466

HOMEDALE GARDEN APARTMENTS
 FOR SENIOR CITIZENS and/or HANDICAPPED OR DISABLED PERSONS
 (208)337-4715
 409 S. 1st st. W. HOMEDALE, IDAHO 83628
 

3 bed 2 Bath home on 1.23 acres. This home is just under 2000 square feet and has a very large shop. \$219,000
A Dollar Bill serial # L69847161K was put into circulation in the Homedale, Marsing, Wilder area on 5/15/07. If you get it, call me before 5/22/07, and I will give you \$40.
Homedale, Well built commercial building with 2 apartments on over .25 acres. Do not disturb owners, call me.
Two 1 acre lots Near marsing. Two nice irrigated building lots in the country. Buy 1 or both. \$69,900 each.
Two commercial lots on Owyhee Ave in downtown Homedale. \$40,000
.41 acre lot fronting Hwy 95 bypass in Homedale. Has City Sewer and water. Would make great location for buisness. Zoned commercial. \$79,000, call me for details.
 Licensed in Idaho and Oregon

KENT SIMON
 HOMEDALE, IDAHO
 337-4170 • CELL: 484-0075

3 Bed, 1 Bath Home
528 West Oregon in Homedale
 Corner lot close to school. single car garage. \$115,900
3 Bed, 1 Bath Home
12 N. 3rd st. East in Homedale
 Close to school. single car garage. \$103,900
3 Commercial City Lots
 In Homedale. Total Size 75'x125'. \$59,900
3 Bed 2 Bath home on 4.48 Acres. Bring your toys and animals!
4 Bed 1.5 bath home on almost 2 Acres with city services. Home is 1764 sq. ft.


 Tami Steinmetz 899-2263
 Jessica Ehinger 353-4315

A Powerful Team Working For You!

FOR SALE
Mobile homes: single-wide \$1500 OBO 208-362-2380
2003 Fleetwood MH, excellent condition, unique glass patio, spacious island kitchen. 3 bdrm 2 bth, garden tub, walk-in closet, furnished w/ new living room & bedroom set, entertainment center, desk & file cabinet, barstool & dining table, kitchen appliances & washer/dryer. Exterior includes continuous gutter, 2 redwood landings, skirting. Free take down & set up and local delivery. Reduced Price! Must Sell! Reasonable offers considered for serious buyers! 861-1819 or 495-2295
River Rock Pawn buying & trading guns, nice selection in stock now. Come on by 6138 Hwy 55 in Marsing 208-896-4646
Microfiber couch & love seat, stain resistant, lifetime warranty, brand new in boxes. Retail \$1495. Must sell \$499. 208-888-1464
Bedroom set 7-piece cherry set. Brand new in boxes. List \$2250. Must sell \$450. 208-888-1464
Bed-queen pillowtop mattress set. Brand new, still in plastic, warranty. Retail \$599. Sell \$119! 208-921-6643
King-sized pillowtop mattress set. New, in bag, with warranty. List \$750. Sacrifice \$199. 208-921-6643
Cherry Sleigh bed. Solid wood. New in box. Value \$799. Sacrifice \$195. 208-888-1464
Used tractor parts 100's of salvaged farm tractors and combines. Nampa Tractor Salvage, 9055 Hwy 20, Nampa, ID 83687 (208) 467-4430
Roll ends: Great for packing material, building fires, lining birdcages or for your kids to doodle on. The Owyhee Avalanche, Homedale

VEHICLES
1987 Ford Ranger, 4wd, runs \$800. 337-5610 or 899-2998
2002 Dodge Intrepid, excellent condition, 82,000 miles \$6900. Call 482-6276 or 869-1967
2007 ATV's New 50cc, 110cc, 150cc, 250cc. Special prices!!! Call for details. DL#3024 208-896-5720
1975 Kit Travel trailer, 19 footer \$1000. OBO Call Nicole 208-695-6350

YARD SALE
Iglesia Evangelica having Huge yard sale Friday 5/18 & Sat. 5/19, 9am-4pm at 317 3rd St., Wilder. Subdivision yard sale May 18th & 19th. Starts 7:30am. Seven Springs Sub off Hoskins, Hilltop, Parkway & Crystal. Watch for balloons! Motor homes, jet ski w/trailer, tools, camping, cars, pickup, mower, antiques, trimmer, large above ground pool and much more.
Yard sale Saturday 8:30-3pm. 232 Arizona, Homedale. Furniture, kids clothes & misc.
4-H yard sale! 20 family's. Donation & bargains! Main Street, Marsing High school gym parking lot. Saturday 19th 9am.
Yard sale Fri/Sat 9am-5pm 311 W. Montana, Homedale. Double stroller, vacuum, TV/DVD combo, drop leaf table, lots of misc

NAMPA FARMERS' MARKET

12 Ave. So. & 1st St. So.
Saturdays Through October
 9 a.m. - 1 p.m., Rain or Shine
 Fresh local produce, baked goods, meat, nursery plants, crafts.
Produce Vendors Wanted
 (208) 461-4807
 www.nampafarmersmarket.com

SERVICES
Boat repair. Service & repair of all brands. Certified Mercury and Mercruiser, mobile service available. Reasonable rates. Call 208-250-6725
Tom's Lawnmower Repair is open for business in the Homedale area. Low rates! 208-936-5115
Dog boarding at my home. Outdoor and indoor facilities. Knowledgeable & attentive care for your best friend. Call Rebekka at 208-861-6017 rockincountrykennel.com
Dixson Lawn Care & Demolition. Yard care & more. Weed eating specialists. 459-4722 or 697-3377 lve msg.
Owyhee Mountain Lawn Care. Lawn mowing, clean-up and all your lawn care needs. Free estimates. Call Tyler 880-1573
Trees topped & removed. Clean up & stump removal available 337-4403
Best price for on-site computer cleaning and repair. Call Tom or Colette at 899-9419 or 896-4676, Technical Computer.
Tim's Small Engine Repair Complete servicing & repair available on lawnmowers, tillers, motorcycles, ATVs & all 2 & 4 cycle power equipment. Briggs & Stratton factory certified repair technician 30916 Peckham Rd. Wilder 482-7461

WANTED
Vendors needed for parking lot side-walk bazaar. Sat., Aug. 11th during the county fair & rodeo. Hosted by Lazy Daizy Country Home Décor, 332 W Idaho, Homedale. Outside booth 12x12 \$50. Power additional \$10. For more info call 899-0595

2 Gals Snow Shack Now Open!
Hours: 2-6 pm Mon-Sat
West Idaho Ave Homedale

THANK YOU
 We would like to thank all the Marsing School District employees that touched our kids lives. With our youngest graduating at this time, we wanted to thank all of you. We appreciate all the hard work you have done for our kids. Sometimes it's a thankless job. We commend all of you and appreciate your dedication to all the kids. Thank you, Tim, Rita, Jeff, Scott, and Kallie Roeser

PERSONAL
 Would like to contact children or grandchildren of Walter and Loren Hoagland as well as those of Ruby Leona Hoagland Martin and Edith Iona Hoagland. Please call Jack Dunn at 208-939-7151

NOTICE
Cowboy Church, informal outdoor service and potluck, including Dutch oven, Saturdays 4-6pm, followed by hayride, hike and horseback ride, weather permitting. Bring table service and lawn chairs. 6 miles west of Homedale on Market and Succor Creek Roads. Call for directions 541-339-3019 or 208-250-1721

FREE
Free: trampoline, washer/ dryer & Zenith consol TV. You come & get! 250-8705
Free service: Junk cars & trucks removed at no charge. Call Bill 208-724-1118 or 208-482-6763 eve.

FOUND
Found: Medium-sized young male dog. No collar. Found on River Road west of Homedale, last Saturday. Call 541-339-3212 to provide description.

Please enter my subscription to the Owyhee Avalanche now! Enclosed is \$ _____

NAME _____

ADDRESS _____

CITY _____

STATE _____ ZIP _____

SUBSCRIPTION RATES:
 Owyhee County.....\$31.80
 Canyon, Ada and Malheur Counties.....\$37.10
 Elsewhere\$40.00
 Idaho Sales Tax included

The Owyhee Avalanche
P.O. BOX 97 • HOMEDALE, ID 83628

DESERT HIGH REAL ESTATE
 www.deserthigh.us
Marsing, Idaho
208-941-1020
Betty Stappler - Broker
 Licensed in Idaho and Oregon
 Marsing Office - 896-4624
New to the market! 3 acres with irrigation and nice view in the Homedale School District.
Newer Manufactured with 4 bedrooms and garage.
\$159,000
21 Years of Experience Working For You!

Sports



Marsing PPK winners announced

The top athletes from the Marsing Lions Optimist Football Program's local Pepsi/NFL Punt, Pass and Kick earlier this month, were, top row from left to right: Randy Moore, Jason Galligan, Trent Acree, Peyton Kinney, Kendra Wilson and Karissa Webb. Middle row, left to right: Jesus Lino, Isaiah Corrales, Mariah Kinney, Destiny Reynolds and Jeanette Corrales. Bottom row, left to right: Austin Williams, Billy Bowers, Brett Grossman, Conner Carter and Audra Kendall. Submitted photo

Marsing PPK event produces repeat champions

Despite cold weather and windy conditions, participants turned in impressive performances during the May 5 NFL Pepsi Punt, Pass and Kick competition sponsored by the Marsing Lions Optimist Football program.

Homedale and Marsing school district students dominated the competition, which was held at the Marsing High School football stadium. Each age group winner qualified for the Sectional tournament, which will be held in Marsing this fall.

"The kids did an awesome job and it is exciting to see the kids do their best and have lots of fun," Marsing Lions Optimist Football commissioner Aaron Benion said.

Athletes from Marsing, Homedale or Wilder finished first in at least six of the seven age groups, including Marsing's Isaiah Corrales (Boys ages 10-11), Wilder's Trent Acree (Boys 14-15), Marsing's Mariah Kinney (Girls 10-11) and Marsing's Peyton Kinney (Girls 14-15), all of whom defended their championships from last May.

Jesus Lino of Marsing, the 2006 Boys 12-13 champion, was dethroned by fellow Marsing athlete Jason Galligan.

Kendra Wilson, another

Marsing product, won the Girls 12-13 title. There were no entries in the Girls 8-9 division.

Connor Carter of Wilder was the Boys 8-9 champion.

Here are the top three finishers in each age group:

Boys 8-9 — 1. Carter; 2. Brett Grossman; 3. Brandon Miller, Marsing

Boys 10-11 — 1. Isaiah Corrales, Marsing; 2. Austin Williams; 3. Billy Bowers

Girls 10-11 — 1. Mariah Kinney, Marsing; 2. Destiny Reynolds; 3. Audra Kendall, Marsing

Boys 12-13 — 1. Galligan; 2. Lino; 3. Randy Moore, Marsing

Girls 12-13 — 1. Wilson; 2. Karissa Webb, Wilder

Boys 14-15 — 1. Acree; 2. Cade Lambson; 3. Justin Harrell

Girls 14-15 — 1. Peyton Kinney, Marsing; 2. Jeanette Corrales, Marsing

A number of NFL players have competed in Punt, Pass & Kick, including top former quarterbacks such as Miami's Dan Marino and recently retired Drew Bledsoe, who played for the New England Patriots, Buffalo Bills and Dallas Cowboys in a 14-year career. Nearly 3.5 million youngsters nationwide participate in the annual competition.

There's a Hero in all of us

The Power of Taking Charge

An hour is sometimes all it takes to make a positive difference in a child's life. Donna Shines will tell you that when a child knows that someone cares, his or her life changes for the better.

Donna is the force behind The Mentoring Network, Inc., a non-profit, school-based program that serves children in the rural districts of Nampa, Caldwell, Parma, Homedale and Valluvue. Donna and a team of volunteers work with each school to provide mentoring to at-risk students in the first through eighth grades.

Art projects, favorite books, sack lunches and shared smiles punctuate the time spent between mentor and child. Volunteers, who range from college students and retirees to postal inspectors and entrepreneurs, spend one hour a week with the children. The results include improved attendance, better grades, stronger relationships and happier kids. For the community as a whole, the outcome is priceless.

Regence celebrates the efforts of Donna and all of the volunteers who dedicate time to making a difference in the lives of Idaho's children. These individuals prove that by working together, we can accomplish anything.

Are you a catalyst for positive change?
Share your Take Charge story at
www.regence.com/stories.

 Regence

Regence BlueShield of Idaho is an Independent Licensee of the Blue Cross and Blue Shield Association



Homedale hosts youth baseball tourney

Dillon Lowder of Homedale No. 2 fires a pitch toward the plate during the Homedale Invitational youth baseball tournament for 9- to 10-year-old teams Saturday at Sundance Park. Homedale beat the Orioles and eventually played in the single-elimination playoff tournament. Homedale's other teams, the Wolves and the Panthers, didn't make it out of the round-robin pool play.